




## Safety Instructions



1, 2, 3, 4, 5, 6, 7, 8, 9, 11,  
12-Transfo, 13, 15, 16-transfo,  
17, 19, 30, 31b, 34



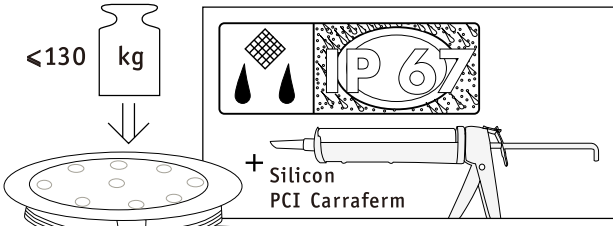
Info Hotline  **+49 (0) 5041 998 389**

Mon. - Do. 7<sup>00</sup> - 20<sup>00</sup>

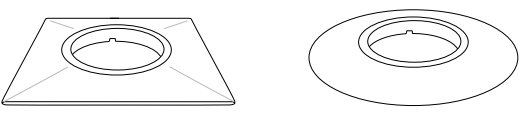
Fr. 7<sup>00</sup> - 17<sup>00</sup>

Paulmann Licht GmbH  
31832 Springe / Germany  
www.paulmann.com

Art.-Nr.:  
**988.57**  
**988.58**  
**988.59**  
...  
(+MA 197)  
PSU 05/12



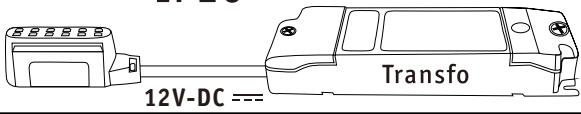
Art.Nr.: 987.51, 987.52  
987.56, 987.91  
988.59, 937.00  
925.63

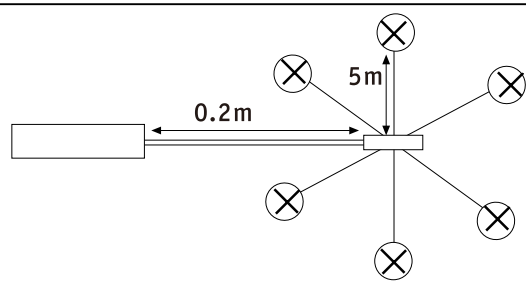


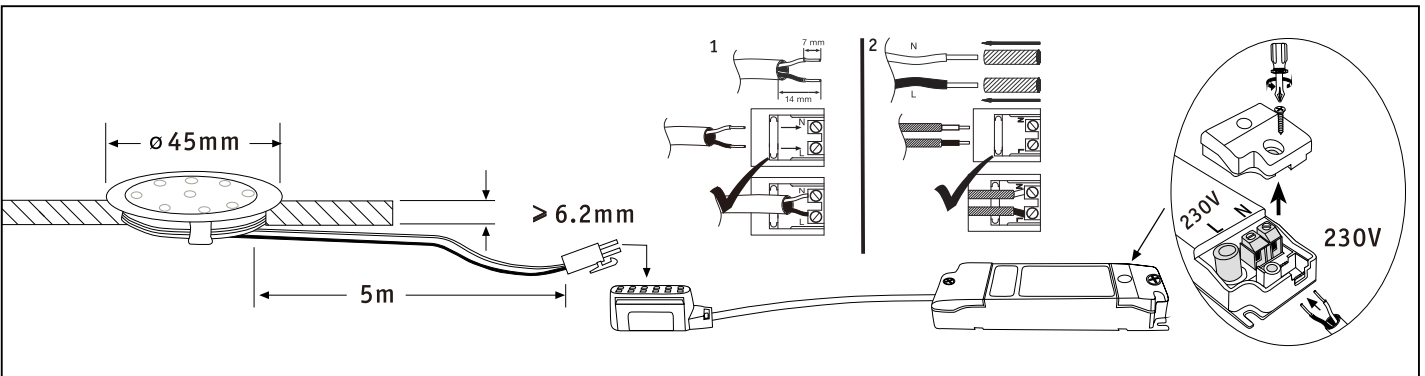
Art.Nr.: 987.79, 987.82    Art.Nr.: 987.77, 987.81  
988.58 925.65            988.57 925.64

**LED Power Supply**  
Art.Nr.: 987.54 (987.57, 987.58,  
987.94, 987.97, 937.01)

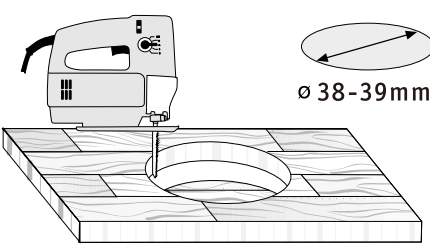
**IP20**



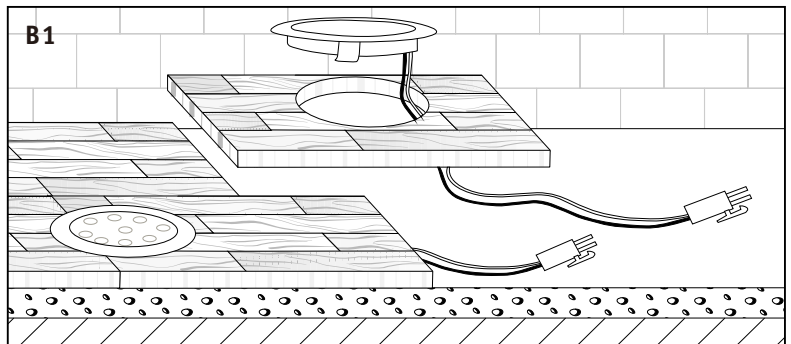




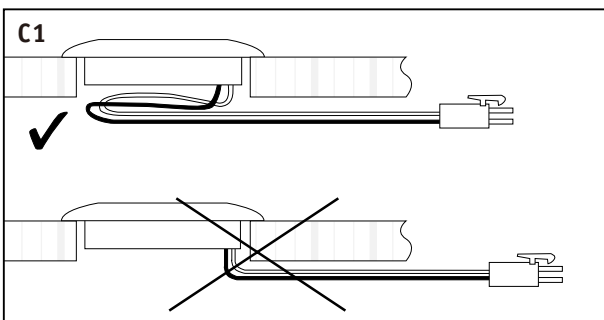
**A1**



**B1**



**C1**



**D1**

