



### Safety Instructions

1, 2, 3, 4, 5, 6, 7, 9, 10, 12, 13, 15, 16, 17, 18, 19, 20, 21, 22, 24, 25, 26, 27, 28, 33



### Info Hotline



+49 (0) 5041 998 389

Mon.-Do. 7<sup>00</sup>-20<sup>00</sup>  
Fr. 7<sup>00</sup>-17<sup>00</sup>

Paulmann Licht GmbH  
Quezinger Feld 2  
31832 Springe  
Germany

www.paulmann.com

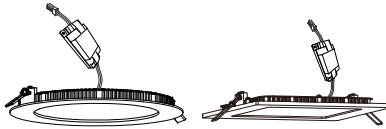
Art.-Nr.:500.26/27/28/29  
34/35/36/37



(+MA326 ) POW 05/16



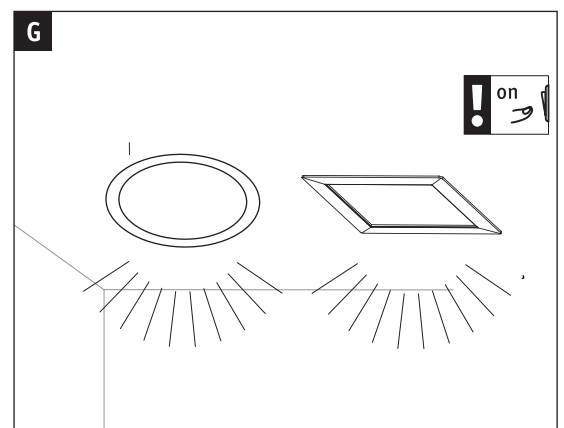
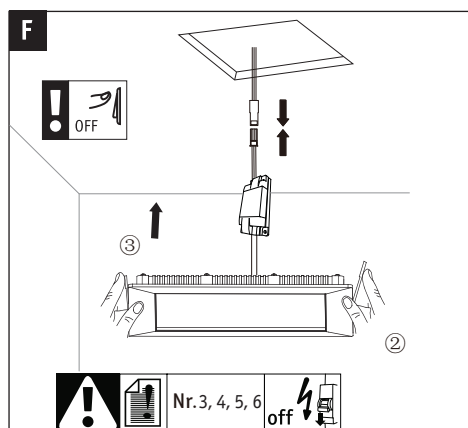
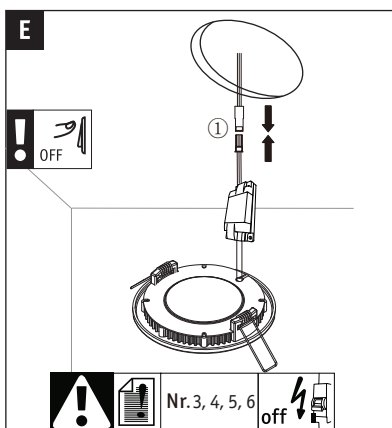
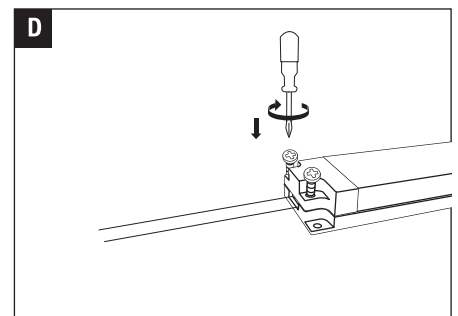
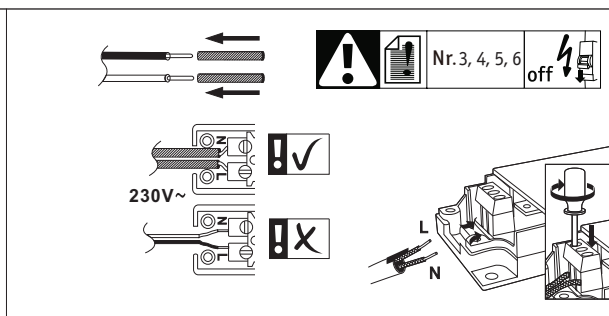
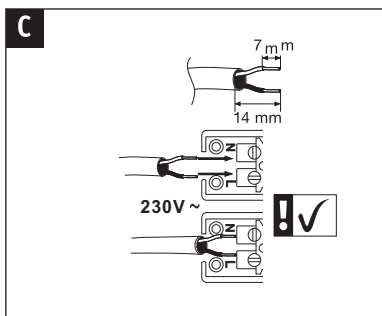
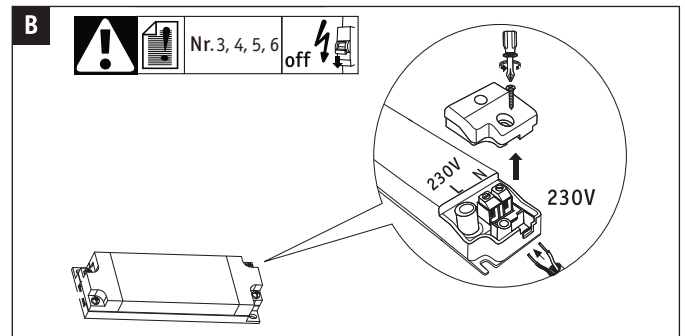
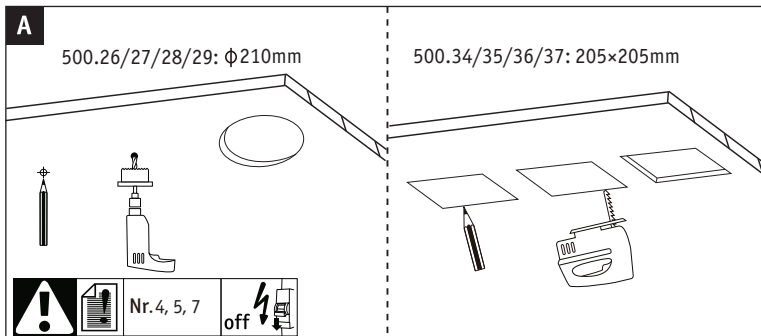
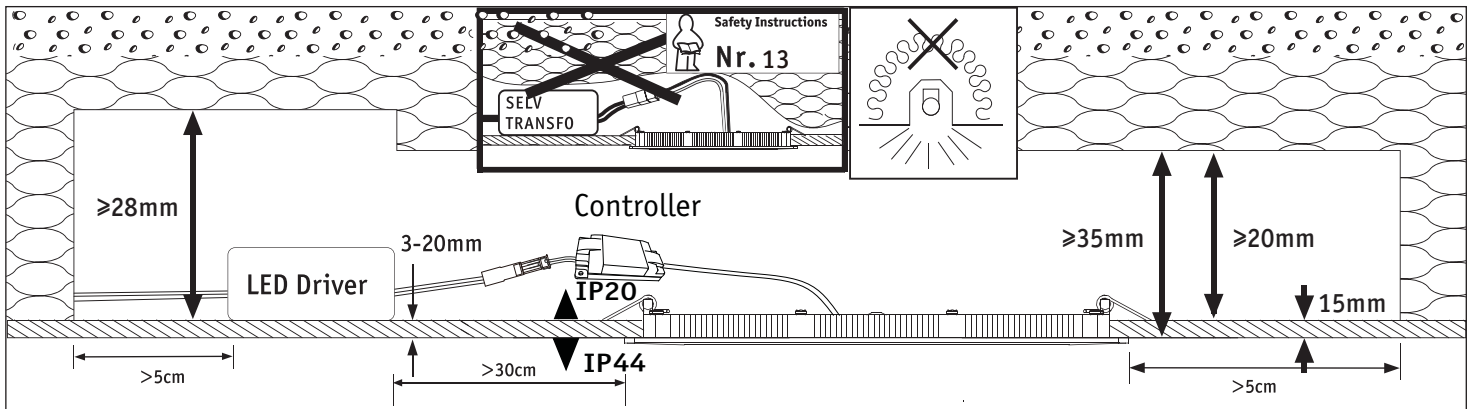
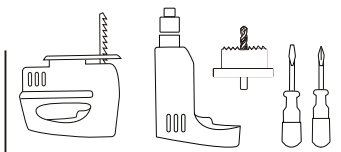
1x



1x



Incl.



**H**

Bluetooth

Reset  
ON  
OFF

3X, ON/OFF <1S

IOS APP      Android APP      Remote Control

Not incl.      Remote Control

Paulmann  
Art.-Nr.500.01

**I**

not incl.

**i** Remote Control  
Art.-Nr.:500.01

**J**

FREE App

not incl.

**i** Download App for extended functions  
<https://de.paulmann.com/smarthome-app>