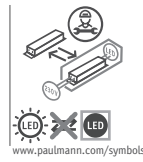
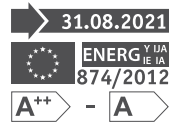




Paulmann

Safety Instructions

1,2,3,4,5,6,7,10,12,15,16,
17,18,19,20,24,28,33,34



Paulmann Licht GmbH
Quezinger Feld 2
31832 Springe
Germany



www.paulmann.com

Art.-Nr.: 947.65



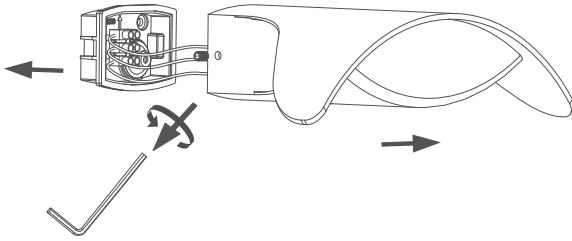
(+MA 326) PSH 11/22



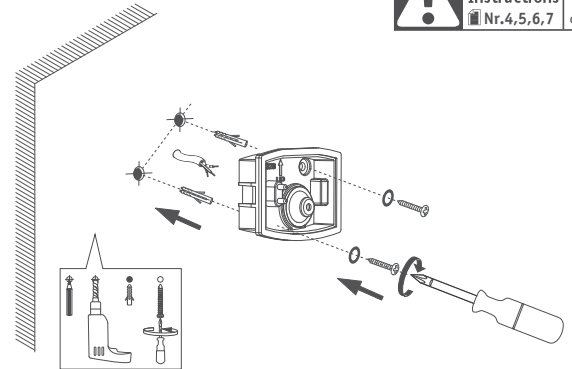
Incl.



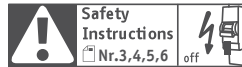
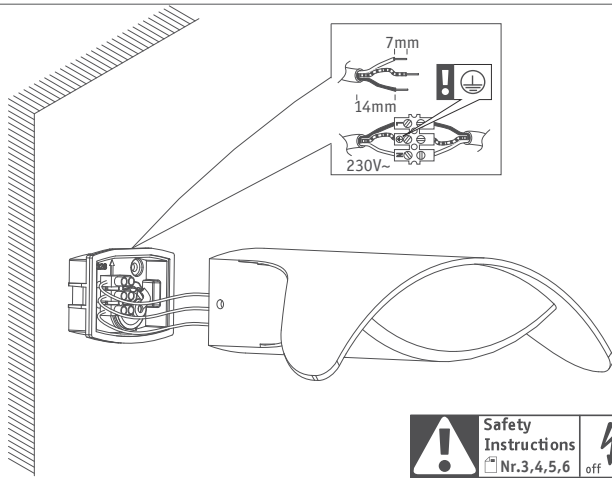
A



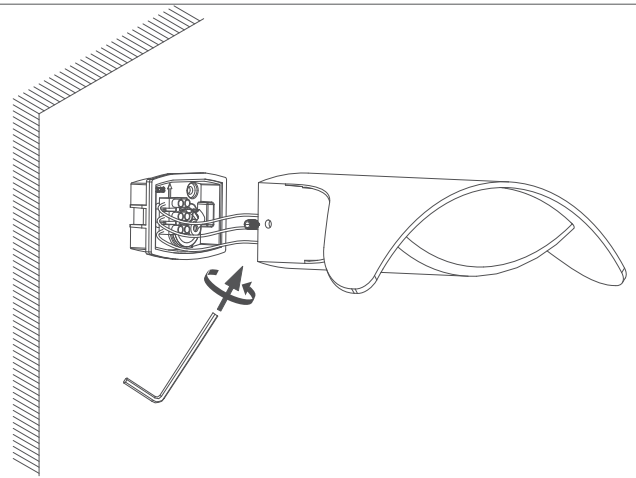
B



C



D



E

