

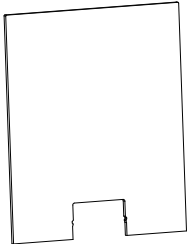





Art.-Nr.: **796.74**
(+MA 327) PH02/17 




 1x

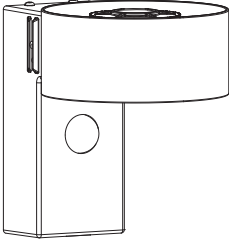
 **12345**

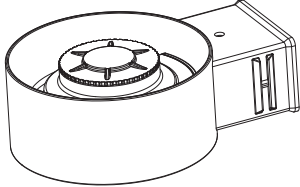
 **67890**
2x

 **abcdef**
1x

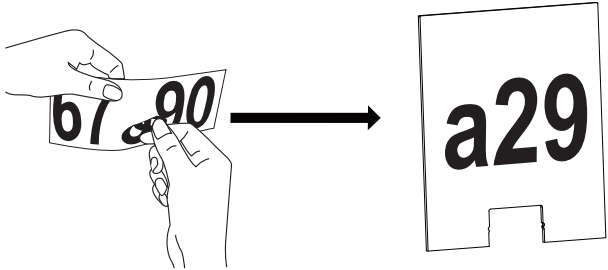
not incl

 Art.-Nr. 796.75/796.76/796.77/796.78/
796.79/796.80/796.81
www.paulmann.com

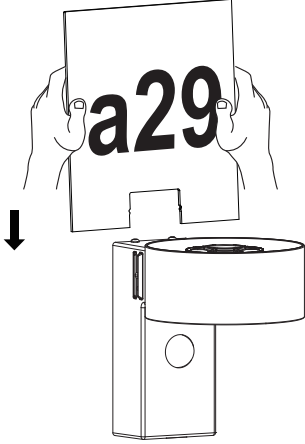
796.77/796.78/796.81 

796.75/796.76
796.79/796.80 

A



B



 on 



