

# PRODUCT FAMILY DATASHEET

## LEDVANCE OUTDOOR LED FACADE BELT

Luminaires with modern design and light outlet up and down



---

### AREAS OF APPLICATION

- Outdoor
- Building facades
- Entrance lighting

---

### PRODUCT BENEFITS

- Energy-efficient thanks to LED technology
- 5 years guarantee
- Easy and quick installation
- Homogeneous light output

---

### PRODUCT FEATURES

- Bright and functional outdoor LED luminaires
- Type of protection: IP54
- Die-cast aluminum housing
- Available in round and square form
- Diffuser made of opal PMMA



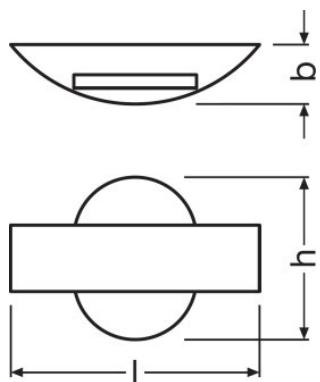
TECHNICAL DATA

Product description	Electrical data	Photometric data	Light technical data	Dimensions & weight				Colors & materials	Temperatures & operating conditions	Lifespan
	Nominal wattage	Luminous flux	Beam angle	Length	Width	Height	Product weight	Product color	Ambient temperature range	Lifespan L70 at 25 °C
LED FACADE BELT 11 W 3000 K RD GY <sup>1)</sup>	11.00 W	400 lm	335.00 °	60.0 mm	240.0 mm	142.0 mm	720.00 g	Gray	-20...40 °C	30000 h
LED FACADE BELT 11 W 3000 K SQ GY <sup>1)</sup>	11.00 W	410 lm	340.00 °	60.0 mm	240.0 mm	142.0 mm	750.00 g	Gray	-20...40 °C	30000 h

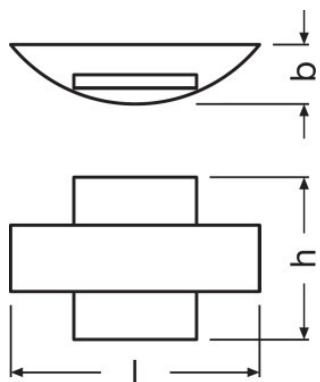
Product description	Additional product data		Capabilities	Certificates & standards			
	Mounting type	Mounting location	Dimmable	Type of protection	Protection class	Protection class IK (shock resistance)	Photobiological safety group
LED FACADE BELT 11 W 3000 K RD GY <sup>1)</sup>	Surface	Wall	No	IP54	I	IK06	RG 0
LED FACADE BELT 11 W 3000 K SQ GY <sup>1)</sup>	Surface	Wall	No	IP54	I	IK06	RG 0

Product description	Standards
LED FACADE BELT 11 W 3000 K RD GY <sup>1)</sup>	CE
LED FACADE BELT 11 W 3000 K SQ GY <sup>1)</sup>	CE

<sup>1)</sup> Available from February 2018



LED FACADE BELT 11 W 3000 K RD GY



LED FACADE BELT 11 W 3000 K SQ GY

### EQUIPMENT / ACCESSORIES

- Complete mounting and connecting accessories included

### APPLICATION ADVICE

For more detailed application information and graphics please see product datasheet.

### LOGISTICAL DATA

Product code	Product description	Packaging unit (Pieces/Unit)	Dimensions (length x width x height)	Volume	Gross weight
4058075074972	LED FACADE BELT 11 W 3000 K RD GY	Shipping carton box 6	600 mm x 220 mm x 290 mm	38.28 dm <sup>3</sup>	5616.00 g
4058075074996	LED FACADE BELT 11 W 3000 K SQ GY	Shipping carton box 6	600 mm x 220 mm x 290 mm	38.28 dm <sup>3</sup>	5796.00 g

Product code	Product description	Packaging unit (Pieces/Unit)	Dimensions (length x width x height)	Volume	Gross weight
--------------	---------------------	------------------------------	--------------------------------------	--------	--------------

The mentioned product code describes the smallest quantity unit which can be ordered. One shipping unit can contain one or more single products. When placing an order, for the quantity please enter single or multiples of a shipping unit.

---

#### REFERENCES / LINKS

For Guarantee see

- ▶ [www.ledvance.com/guarantee](http://www.ledvance.com/guarantee)

---

#### DISCLAIMER

Subject to change without notice. Errors and omission excepted. Always make sure to use the most recent release.