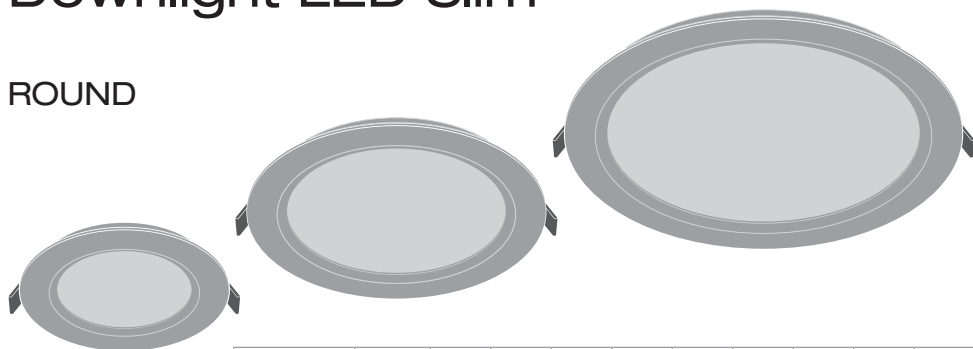


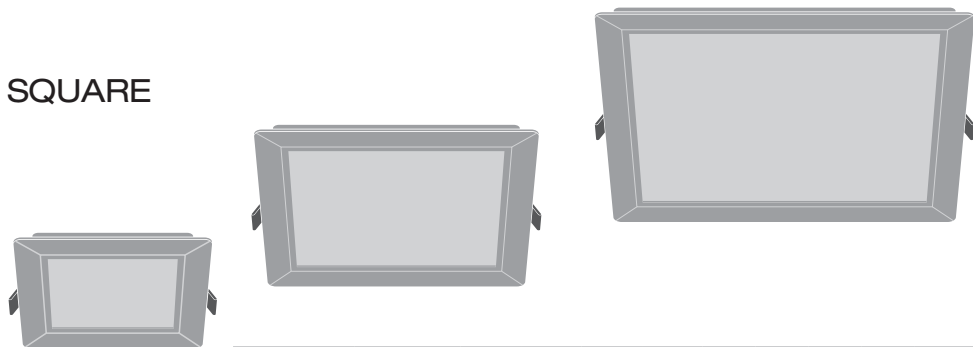
Downlight LED Slim

ROUND



	EAN	Ø x H	W	lm	lm/W	K	IP	IK	☼	R _a	👤
DL Slim DN105 6W/3000K WT	4058075052222	118x30	6	420	70	3000	20	03	120°	>80	0.2 kg
DL Slim DN105 6W/4000K WT	4058075052246	118x30	6	430	70	4000	20	03	120°	>80	0.2 kg
DL Slim DN105 6W/6500K WT	4058075052260	118x30	6	430	70	6500	20	03	120°	>80	0.2 kg
DL Slim DN155 12W/3000K WT	4058075052284	169x30	12	1020	85	3000	20	03	120°	>80	0.3 kg
DL Slim DN155 12W/4000K WT	4058075052307	169x30	12	1020	85	4000	20	03	120°	>80	0.3 kg
DL Slim DN155 12W/6500K WT	4058075052321	169x30	12	1020	85	6500	20	03	120°	>80	0.3 kg
DL Slim DN210 18W/3000K WT	4058075052345	225x30	18	1530	85	3000	20	03	120°	>80	0.4 kg
DL Slim DN210 18W/4000K WT	4058075052369	225x30	18	1530	85	4000	20	03	120°	>80	0.4 kg
DL Slim DN210 18W/6500K WT	4058075052383	225x30	18	1530	85	6500	20	03	120°	>80	0.4 kg

SQUARE



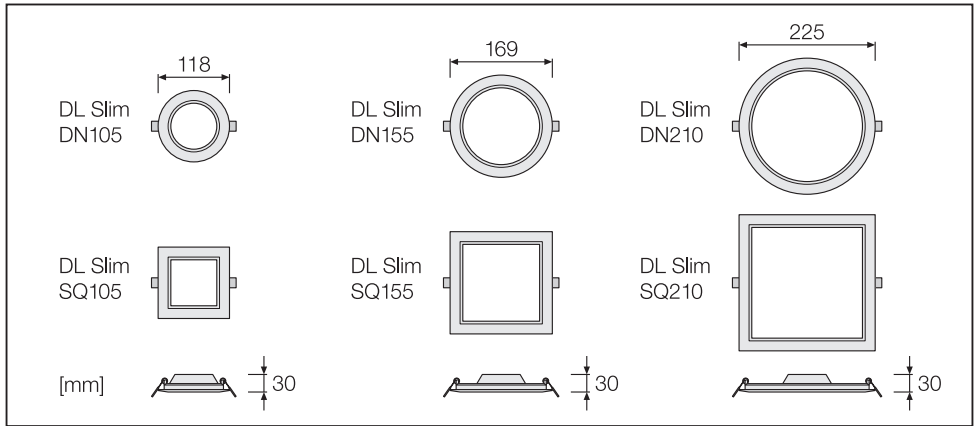
	EAN	L x W x H	W	lm	lm/W	K	IP	IK	☼	R _a	👤
DL Slim SQ105 6W/3000K WT	4058075052468	118x118x30	6	420	70	3000	20	03	120°	>80	0.2 kg
DL Slim SQ105 6W/4000K WT	4058075052482	118x118x30	6	430	70	4000	20	03	120°	>80	0.2 kg
DL Slim SQ105 6W/6500K WT	4058075052505	118x118x30	6	430	70	6500	20	03	120°	>80	0.2 kg
DL Slim SQ155 12W/3000K WT	4058075052529	169x169x30	12	1020	85	3000	20	03	120°	>80	0.3 kg
DL Slim SQ155 12W/4000K WT	4058075052543	169x169x30	12	1020	85	4000	20	03	120°	>80	0.3 kg
DL Slim SQ155 12W/6500K WT	4058075052567	169x169x30	12	1020	85	6500	20	03	120°	>80	0.3 kg
DL Slim SQ210 18W/3000K WT	4058075052581	225x225x30	18	1530	85	3000	20	03	120°	>80	0.5 kg
DL Slim SQ210 18W/4000K WT	4058075052604	225x225x30	18	1530	85	4000	20	03	120°	>80	0.5 kg
DL Slim SQ210 18W/6500K WT	4058075052628	225x225x30	18	1530	85	6500	20	03	120°	>80	0.5 kg



LEDVANCE
OSRAM

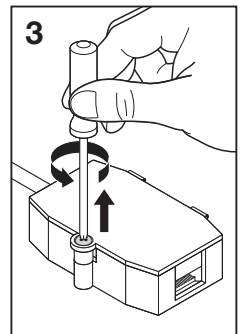
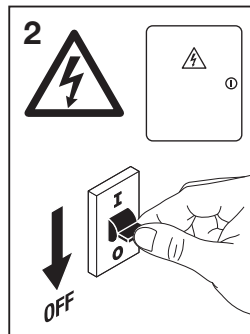
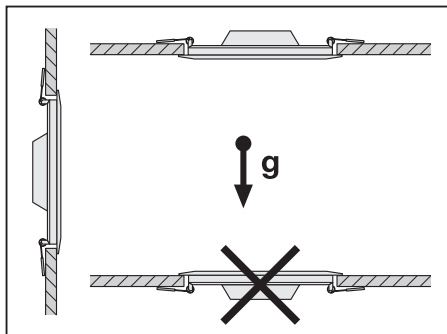


Downlight LED Slim

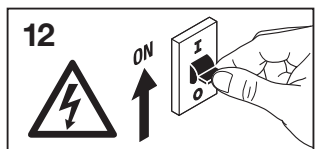
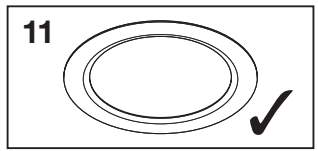
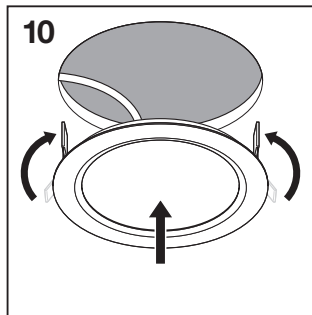
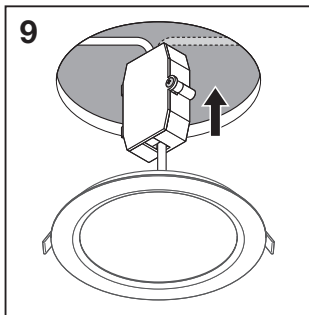
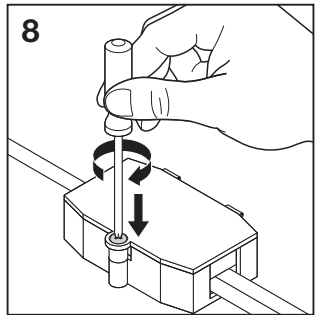
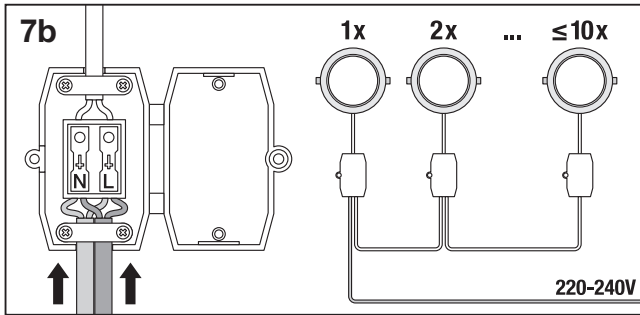
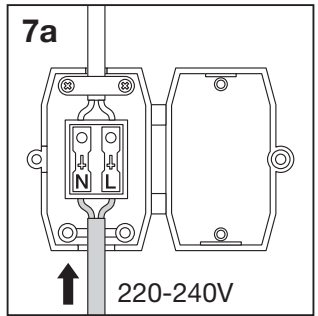
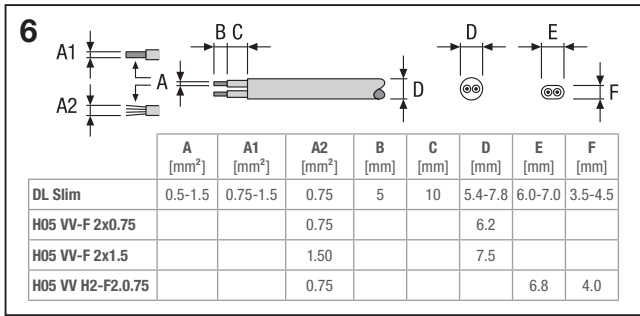
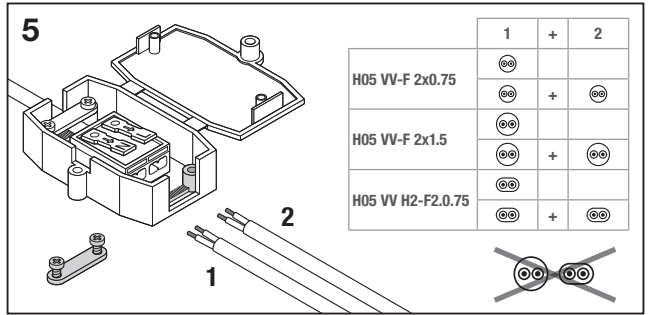
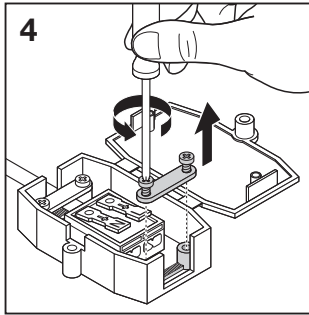


1

	a	b	c	d	e	f	g	h
DL Slim DN105	∅ 110 mm	∅ 107 mm	∅ 118 mm	3-30 mm	50 mm	25 mm	≥ 60 mm	≥ 50 mm
DL Slim DN155	∅ 160 mm	∅ 156 mm	∅ 168 mm	3-30 mm	50 mm	25 mm	≥ 60 mm	≥ 50 mm
DL Slim DN210	∅ 215 mm	∅ 210 mm	∅ 224 mm	3-30 mm	50 mm	25 mm	≥ 60 mm	≥ 50 mm
DL Slim SQ105	□ 110 mm	□ 107 mm	□ 118 mm	3-30 mm	50 mm	25 mm	≥ 60 mm	≥ 50 mm
DL Slim SQ155	□ 160 mm	□ 156 mm	□ 168 mm	3-30 mm	50 mm	25 mm	≥ 60 mm	≥ 50 mm
DL Slim SQ210	□ 215 mm	□ 210 mm	□ 224 mm	3-30 mm	50 mm	25 mm	≥ 60 mm	≥ 50 mm



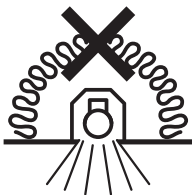
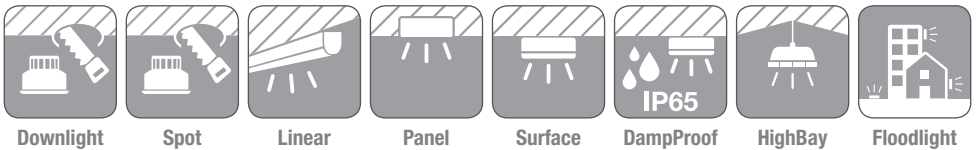
Downlight LED Slim





	EAN	Δ (°C)	V _{AC}	Hz	PF
DL Slim DN105 6W/3000K WT	4058075052222	0...+40	220-240V	50/60 Hz	≥ 0.8
DL Slim DN105 6W/4000K WT	4058075052246	0...+40	220-240V	50/60 Hz	≥ 0.8
DL Slim DN105 6W/6500K WT	4058075052260	0...+40	220-240V	50/60 Hz	≥ 0.8
DL Slim DN155 12W/3000K WT	4058075052284	0...+40	220-240V	50/60 Hz	≥ 0.8
DL Slim DN155 12W/4000K WT	4058075052307	0...+40	220-240V	50/60 Hz	≥ 0.8
DL Slim DN155 12W/6500K WT	4058075052321	0...+40	220-240V	50/60 Hz	≥ 0.8
DL Slim DN210 18W/3000K WT	4058075052345	0...+40	220-240V	50/60 Hz	≥ 0.8
DL Slim DN210 18W/4000K WT	4058075052369	0...+40	220-240V	50/60 Hz	≥ 0.8
DL Slim DN210 18W/6500K WT	4058075052383	0...+40	220-240V	50/60 Hz	≥ 0.8
DL Slim SQ105 6W/3000K WT	4058075052468	0...+40	220-240V	50/60 Hz	≥ 0.8
DL Slim SQ105 6W/4000K WT	4058075052482	0...+40	220-240V	50/60 Hz	≥ 0.8
DL Slim SQ105 6W/6500K WT	4058075052505	0...+40	220-240V	50/60 Hz	≥ 0.8
DL Slim SQ155 12W/3000K WT	4058075052529	0...+40	220-240V	50/60 Hz	≥ 0.8
DL Slim SQ155 12W/4000K WT	4058075052543	0...+40	220-240V	50/60 Hz	≥ 0.8
DL Slim SQ155 12W/6500K WT	4058075052567	0...+40	220-240V	50/60 Hz	≥ 0.8
DL Slim SQ210 18W/3000K WT	4058075052581	0...+40	220-240V	50/60 Hz	≥ 0.8
DL Slim SQ210 18W/4000K WT	4058075052604	0...+40	220-240V	50/60 Hz	≥ 0.8
DL Slim SQ210 18W/6500K WT	4058075052628	0...+40	220-240V	50/60 Hz	≥ 0.8

www.luminaires.ledvance.com



C10449057
G11018147
12.07.17

LEDVANCE GmbH
Steinerne Furt 62
86167 Augsburg
Germany
www.ledvance.com