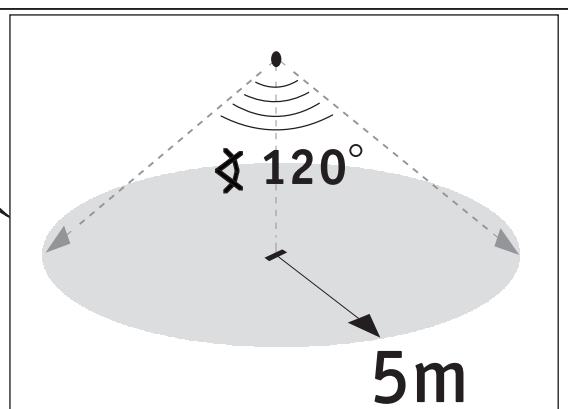
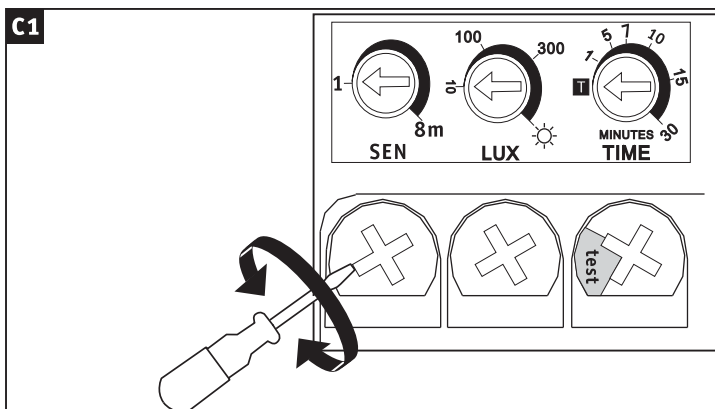
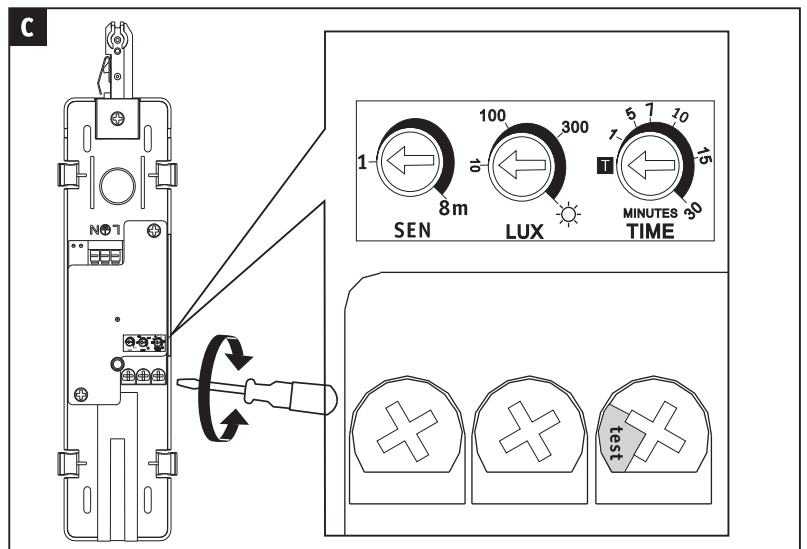
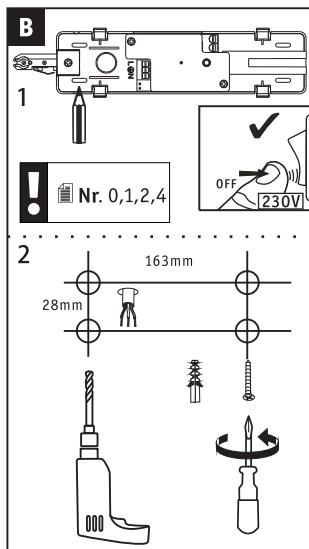
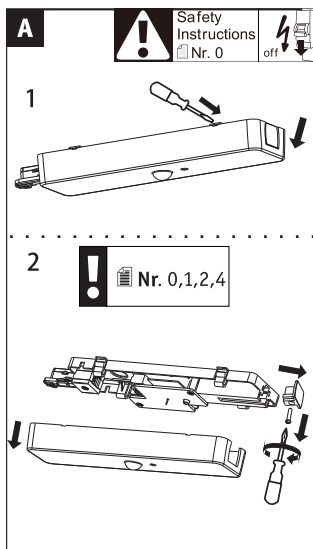
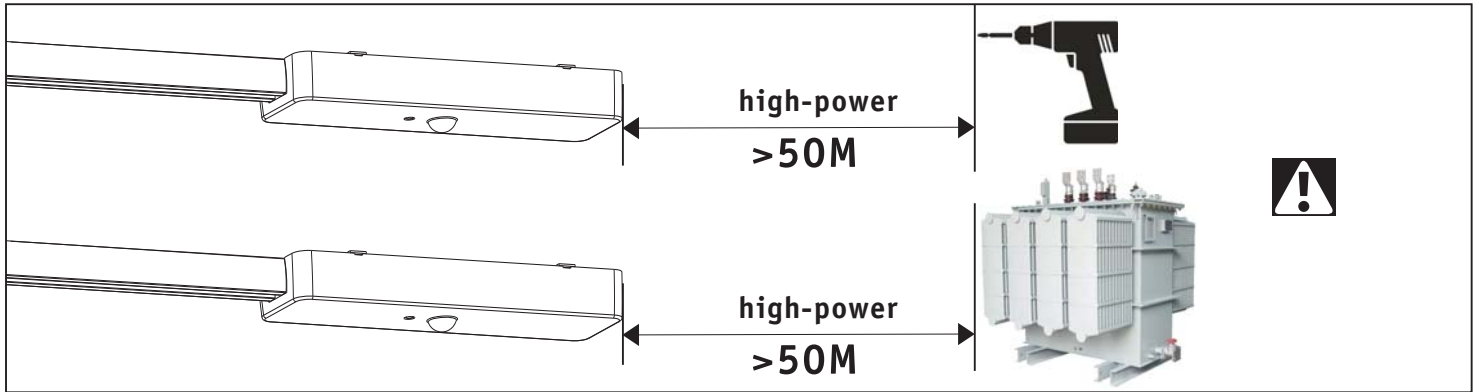
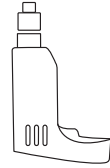
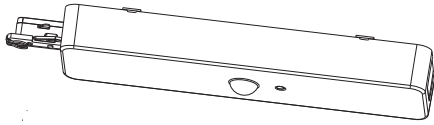


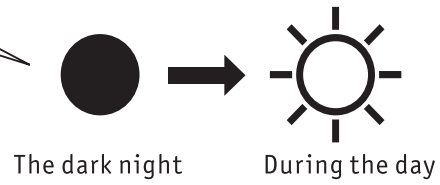
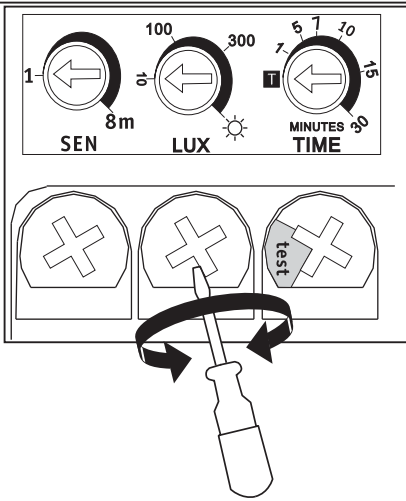


Art.-Nr.: 953.17  
953.18

(+MA173)PBO 06/16

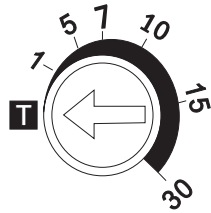
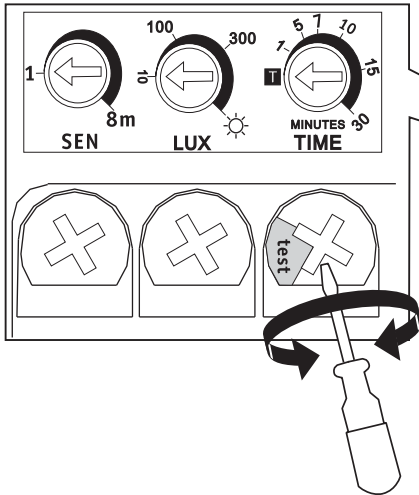


C2



0-300 lux

C3



1 - 30 Minutes

