

**Safety Instructions**

1,2,3,4,5,6,8,12,16,17,18,  
19,20,22,24,29,30,31,32,  
33,34



**Info Hotline**



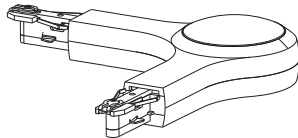
**+49 (0) 5041 998 389**

Mon. - Do. 7<sup>00</sup> - 20<sup>00</sup>  
Fr. 7<sup>00</sup> - 17<sup>00</sup>

Paulmann Licht GmbH  
Quezinger Feld 2  
31832 Springe  
Germany

[www.paulmann.com](http://www.paulmann.com)

Art.-Nr.: **954.85**  
**954.86**  
(+MA326)PH03/17



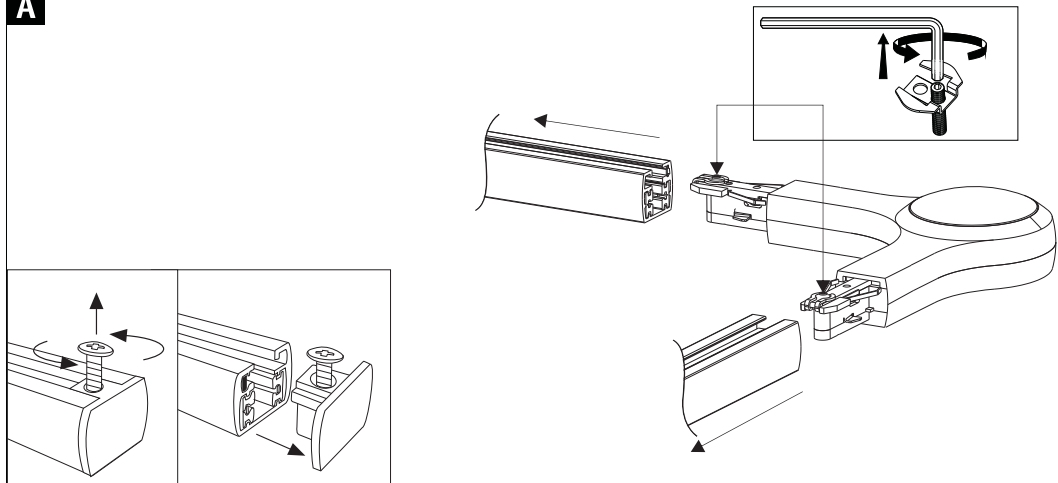
1x



incl



**A**



**Safety Instructions**  
Nr. 3,4,5,6



**B**

