



Paulmann

### Safety Instructions

1, 2, 3, 4, 5, 6, 7, 8, 28, 33, 34



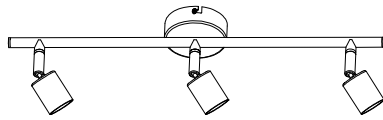
Info

[www.paulmann.com](http://www.paulmann.com)

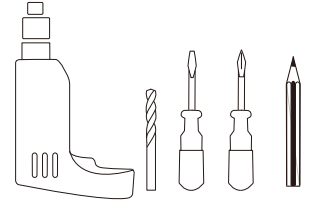
Paulmann Licht GmbH  
Quezinger Feld 2  
31832 Springe  
Germany

[www.paulmann.com](http://www.paulmann.com)

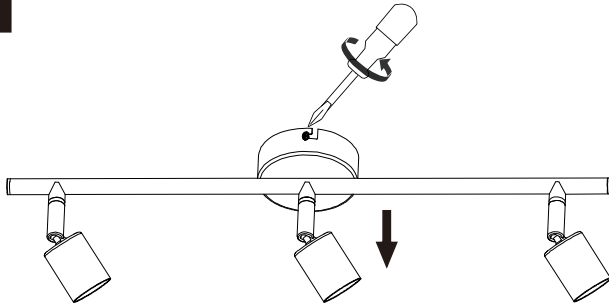
Art.-Nr. : 667.45  
(+MA 326) PUP 12/18



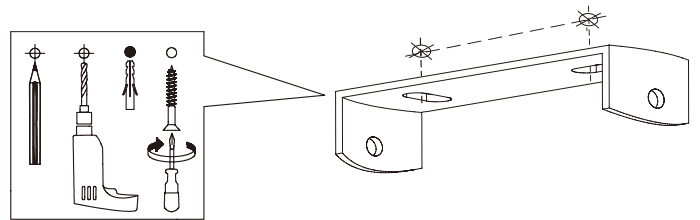
Incl.



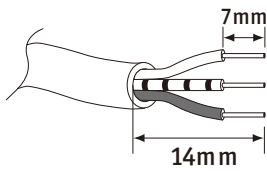
**A**



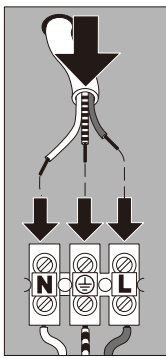
**B**



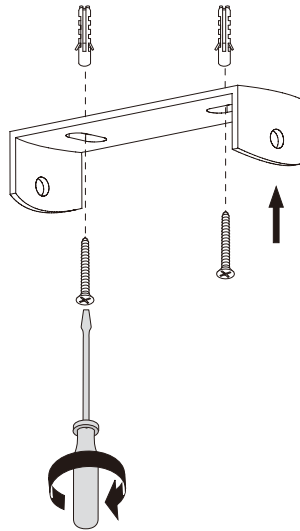
**C**



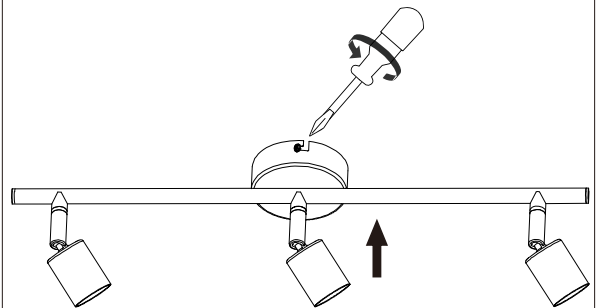
230V



**D**



**E**



**F**

