

Safety Instructions

1,2,3,4,5,6,7,9,10,12,13,24,
29,30,31,32,33,34,



Info Hotline



+49 (0) 5041 998 389

Mon. - Do. 7⁰⁰ - 20⁰⁰
Fr. 7⁰⁰ - 17⁰⁰

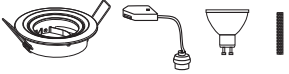
Paulmann Licht
GmbH Quezinger
Feld 2
31832 Springe
Germany

www.paulmann.com

Art.-Nr.:936.01/936.02/
936.03/936.04/
936.05/936.06/
936.07/936.08/
936.39/936.40/
936.41/936.42/
936.43/936.44/
936.45/936.46/
(+MA326)PBO 06/16



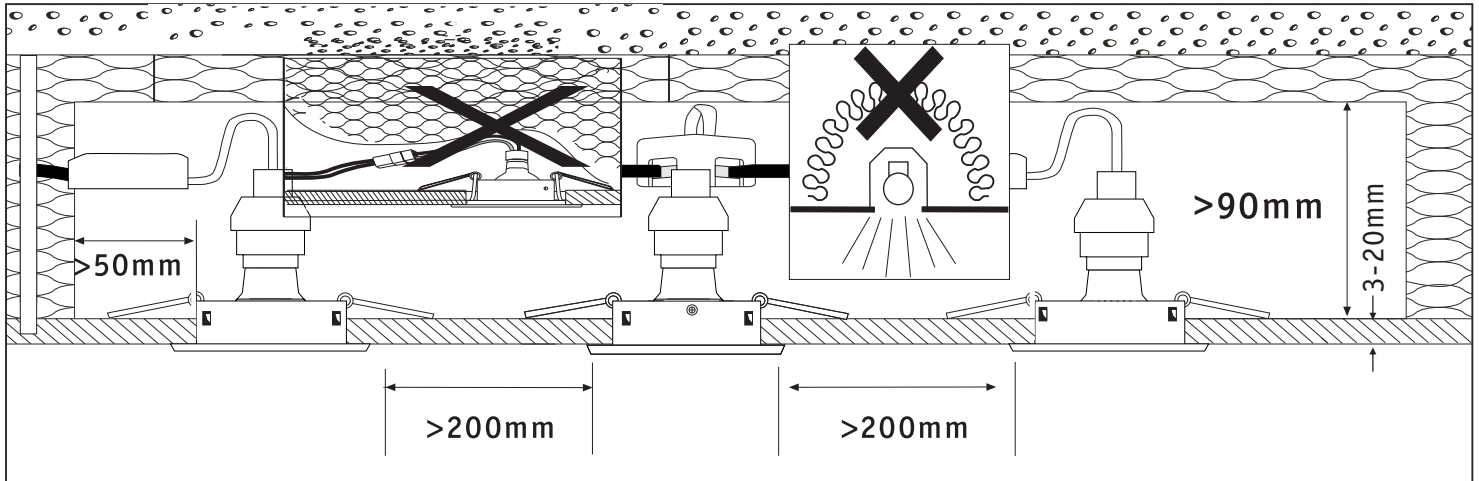
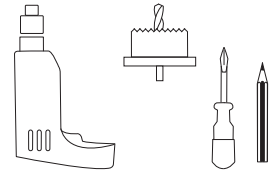
936.01/936.02/936.03/
936.04/936.05/936.06/
936.07/936.08/



936.39/936.40/
936.41/936.42/



936.43/936.44/
936.45/936.46/



A

Safety Instructions
Nr. 5

off

Nr. 7

68mm

www.paulmann.com

B

Nr. 4,5

1

7mm

230V

14mm

2

230V

C

D

E

F