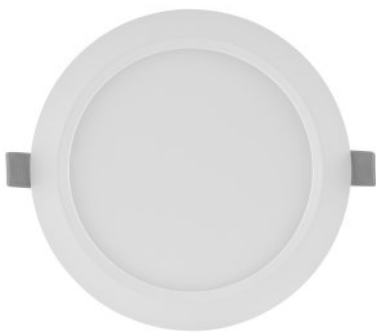




PRODUCT FAMILY DATASHEET

LEDVANCE DOWNLIGHT LED SLIM ROUND

LED downlight luminaires



AREAS OF APPLICATION

- Direct replacement for luminaires with fluorescent lamps
- General illumination
- Public areas
- Stairways
- Corridors
- Foyers
- Shops

PRODUCT BENEFITS

- Very slim housing
- Low installation depth
- High luminous efficacy
- Energy savings up to 60 % (compared to luminaires that use CFL lamps)
- Very homogenous light
- Functional design
- Easy installation with fast connection
- Simple installation thanks to integrated driver

PRODUCT FEATURES

- Small visible bezel
- Connector box with push wire terminal for tool-free connection
- Light guide made of non-yellowing PMMA for long lifetime



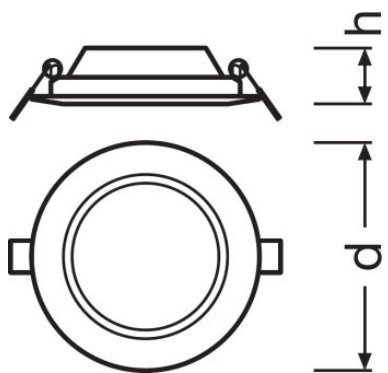
TECHNICAL DATA

Product description	Electrical data				Photometrical data				Light technical data	Dimensions & weight	
	Operating mode	Nominal wattage	Nominal voltage	Mains frequency	Color temperature	Luminous flux	Light color (designation)	Color rendering index Ra	Beam angle	Diameter	Height
DOWNLIGHT LED SLIM ROUND 105 6 W 3000 K WT	Electronic control gear (ECG)	6.00 W	220...240 V	50/60 Hz	3000 K	420 lm	Warm White	>80	120 °	118.0 mm	30.0 mm
DOWNLIGHT LED SLIM ROUND 105 6 W 4000 K WT	Electronic control gear (ECG)	6.00 W	220...240 V	50/60 Hz	4000 K	430 lm	Cool White	>80	120 °	118.0 mm	30.0 mm
DOWNLIGHT LED SLIM ROUND 105 6 W 6500 K WT	Electronic control gear (ECG)	6.00 W	220...240 V	50/60 Hz	6500 K	430 lm	Cool Daylight	>80	120 °	118.0 mm	30.0 mm
DOWNLIGHT LED SLIM ROUND 155 12 W 3000 K WT	Electronic control gear (ECG)	12.00 W	220...240 V	50/60 Hz	3000 K	1020 lm	Warm White	>80	120 °	169.0 mm	30.0 mm
DOWNLIGHT LED SLIM ROUND 155 12 W 4000 K WT	Electronic control gear (ECG)	12.00 W	220...240 V	50/60 Hz	4000 K	1020 lm	Cool White	>80	120 °	169.0 mm	30.0 mm
DOWNLIGHT LED SLIM ROUND 155 12 W 6500 K WT	Electronic control gear (ECG)	12.00 W	220...240 V	50/60 Hz	6500 K	1020 lm	Cool Daylight	>80	120 °	169.0 mm	30.0 mm
DOWNLIGHT LED SLIM ROUND 210 18 W 3000 K WT	Electronic control gear (ECG)	18.00 W	220...240 V	50/60 Hz	3000 K	1530 lm	Warm White	>80	120 °	225.0 mm	30.0 mm
DOWNLIGHT LED SLIM ROUND 210 18 W 4000 K WT	Electronic control gear (ECG)	18.00 W	220...240 V	50/60 Hz	4000 K	1530 lm	Cool White	>80	120 °	225.0 mm	30.0 mm
DOWNLIGHT LED SLIM ROUND 210 18 W 6500 K WT	Electronic control gear (ECG)	18.00 W	220...240 V	50/60 Hz	6500 K	1530 lm	Cool Daylight	>80	120 °	225.0 mm	30.0 mm
Frame 105 WT										121.0 mm	54.0 mm
Frame 155 WT										170.0 mm	38.0 mm
Frame 210 WT										225.0 mm	38.0 mm

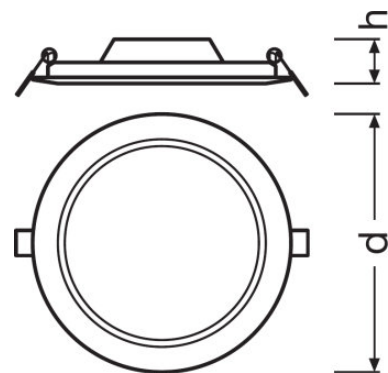
Product description	Mounting diameter	Colors & materials		Temperatures & operating conditions	Lifespan		Capabilities	Certificates & standards
		Body material	Product color	Ambient temperature range	Number of switching cycles	Lifespan L70 at 25 °C	Dimmable	Luminous efficacy of lamp in luminaire
DOWNLIGHT LED SLIM ROUND 105 6 W 3000 K WT	105.0 mm	Polycarbonate (PC)	White	0...40 °C	50000	30000 h	No	70 lm/W
DOWNLIGHT LED SLIM ROUND 105 6 W 4000 K WT	105.0 mm	Polycarbonate (PC)	White	0...40 °C	50000	30000 h	No	70 lm/W
DOWNLIGHT LED SLIM ROUND 105 6 W 6500 K WT	105.0 mm	Polycarbonate (PC)	White	0...40 °C	50000	30000 h	No	70 lm/W
DOWNLIGHT LED SLIM ROUND 155 12 W 3000 K WT	155.0 mm	Polycarbonate (PC)	White	0...40 °C	50000	30000 h	No	85 lm/W
DOWNLIGHT LED SLIM ROUND 155 12 W 4000 K WT	155.0 mm	Polycarbonate (PC)	White	0...40 °C	50000	30000 h	No	85 lm/W
DOWNLIGHT LED SLIM ROUND 155 12 W 6500 K WT	155.0 mm	Polycarbonate (PC)	White	0...40 °C	50000	30000 h	No	85 lm/W
DOWNLIGHT LED SLIM ROUND 210 18 W 3000 K WT	210.0 mm	Polycarbonate (PC)	White	0...40 °C	50000	30000 h	No	85 lm/W
DOWNLIGHT LED SLIM ROUND 210 18 W 4000 K WT	210.0 mm	Polycarbonate (PC)	White	0...40 °C	50000	30000 h	No	85 lm/W
DOWNLIGHT LED SLIM ROUND 210 18 W 6500 K WT	210.0 mm	Polycarbonate (PC)	White	0...40 °C	50000	30000 h	No	85 lm/W
Frame 105 WT			White					
Frame 155 WT			White					
Frame 210 WT			White					

Product description	Protection class	Type of protection	Protection class IK (shock resistance)
DOWNLIGHT LED SLIM ROUND 105 6 W 3000 K WT	II	IP20	IK03
DOWNLIGHT LED SLIM ROUND 105 6 W 4000 K WT	II	IP20	IK03

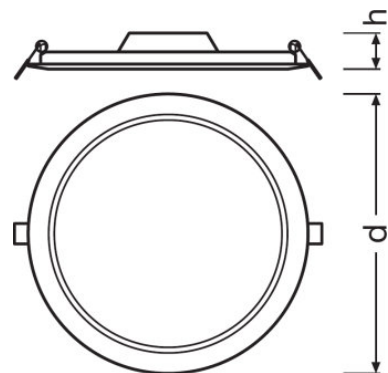
Product description	Protection class	Type of protection	Protection class IK (shock resistance)
DOWNLIGHT LED SLIM ROUND 105 6 W 6500 K WT	II	IP20	IK03
DOWNLIGHT LED SLIM ROUND 155 12 W 3000 K WT	II	IP20	IK03
DOWNLIGHT LED SLIM ROUND 155 12 W 4000 K WT	II	IP20	IK03
DOWNLIGHT LED SLIM ROUND 155 12 W 6500 K WT	II	IP20	IK03
DOWNLIGHT LED SLIM ROUND 210 18 W 3000 K WT	II	IP20	IK03
DOWNLIGHT LED SLIM ROUND 210 18 W 4000 K WT	II	IP20	IK03
DOWNLIGHT LED SLIM ROUND 210 18 W 6500 K WT	II	IP20	IK03
Frame 105 WT			
Frame 155 WT			
Frame 210 WT			



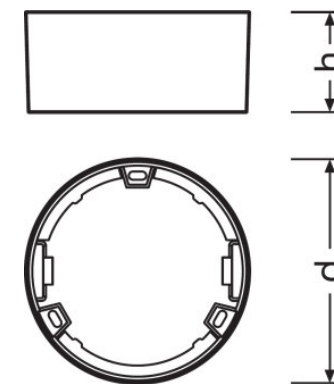
DOWNLIGHT LED SLIM ROUND 105 6 W
3000 K WT, DOWNLIGHT LED SLIM
ROUND 105 6 W 4000 K WT,
DOWNLIGHT LED SLIM ROUND 105 6 W
6500 K WT



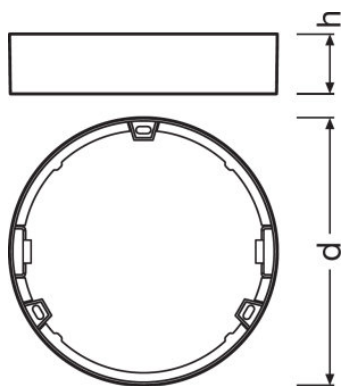
DOWNLIGHT LED SLIM ROUND 155 12
W 3000 K WT, DOWNLIGHT LED SLIM
ROUND 155 12 W 4000 K WT,
DOWNLIGHT LED SLIM ROUND 155 12
W 6500 K WT



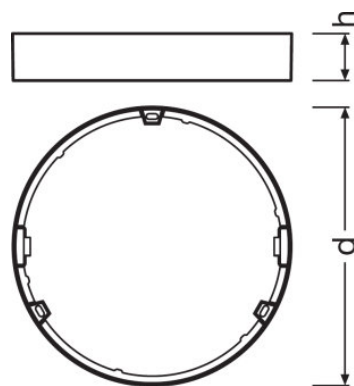
DOWNLIGHT LED SLIM ROUND 210 18
W 3000 K WT, DOWNLIGHT LED SLIM
ROUND 210 18 W 4000 K WT,
DOWNLIGHT LED SLIM ROUND 210 18
W 6500 K WT



Frame 105 WT



Frame 155 WT



Frame 210 WT

EQUIPMENT / ACCESSORIES

- Surface mounting frames available as accessories

APPLICATION ADVICE

For more detailed application information and graphics please see product datasheet.

LOGISTICAL DATA

Product code	Product description	Packaging unit (Pieces/Unit)	Dimensions (length x width x height)	Volume	Gross weight
4058075052222	DOWNLIGHT LED SLIM ROUND 105 6 W 3000 K WT	Shipping carton box 6	290 mm x 165 mm x 165 mm	7.90 dm ³	1317.00 g
4058075052246	DOWNLIGHT LED SLIM ROUND 105 6 W 4000 K WT	Shipping carton box 6	290 mm x 165 mm x 165 mm	7.90 dm ³	1411.00 g
4058075052260	DOWNLIGHT LED SLIM ROUND 105 6 W 6500 K WT	Shipping carton box 6	290 mm x 165 mm x 165 mm	7.90 dm ³	1428.00 g

Product code	Product description	Packaging unit (Pieces/Unit)	Dimensions (length x width x height)	Volume	Gross weight
4058075052284	DOWNLIGHT LED SLIM ROUND 155 12 W 3000 K WT	Shipping carton box 6	290 mm x 205 mm x 195 mm	11.59 dm ³	2238.00 g
4058075052307	DOWNLIGHT LED SLIM ROUND 155 12 W 4000 K WT	Shipping carton box 6	290 mm x 205 mm x 195 mm	11.59 dm ³	2232.00 g
4058075052321	DOWNLIGHT LED SLIM ROUND 155 12 W 6500 K WT	Shipping carton box 6	290 mm x 205 mm x 195 mm	11.59 dm ³	2243.00 g
4058075052345	DOWNLIGHT LED SLIM ROUND 210 18 W 3000 K WT	Shipping carton box 6	290 mm x 270 mm x 250 mm	19.58 dm ³	3439.00 g
4058075052369	DOWNLIGHT LED SLIM ROUND 210 18 W 4000 K WT	Shipping carton box 6	290 mm x 270 mm x 250 mm	19.58 dm ³	3492.00 g
4058075052383	DOWNLIGHT LED SLIM ROUND 210 18 W 6500 K WT	Shipping carton box 6	290 mm x 270 mm x 250 mm	19.58 dm ³	3383.00 g
4058075052406	Frame 105 WT	Shipping carton box 6	380 mm x 140 mm x 150 mm	7.98 dm ³	624.00 g
4058075052420	Frame 155 WT	Shipping carton box 6	280 mm x 190 mm x 200 mm	10.64 dm ³	794.00 g
4058075052444	Frame 210 WT	Shipping carton box 6	280 mm x 245 mm x 255 mm	17.49 dm ³	1222.00 g

The mentioned product code describes the smallest quantity unit which can be ordered. One shipping unit can contain one or more single products. When placing an order, for the quantity please enter single or multiples of a shipping unit.

REFERENCES / LINKS

For Guarantee see

▶ www.ledvance.com/guarantee

DISCLAIMER

Subject to change without notice. Errors and omission excepted. Always make sure to use the most recent release.