



Safety Instructions



0, 1, 6, 8, 11, 12, 15,
22, 23, 25, 28



Info Hotline **+49 (0) 5041 998 389**

Mon. - Do. 7⁰⁰ - 20⁰⁰

Fr. 7⁰⁰ - 17⁰⁰

Paulmann Licht GmbH

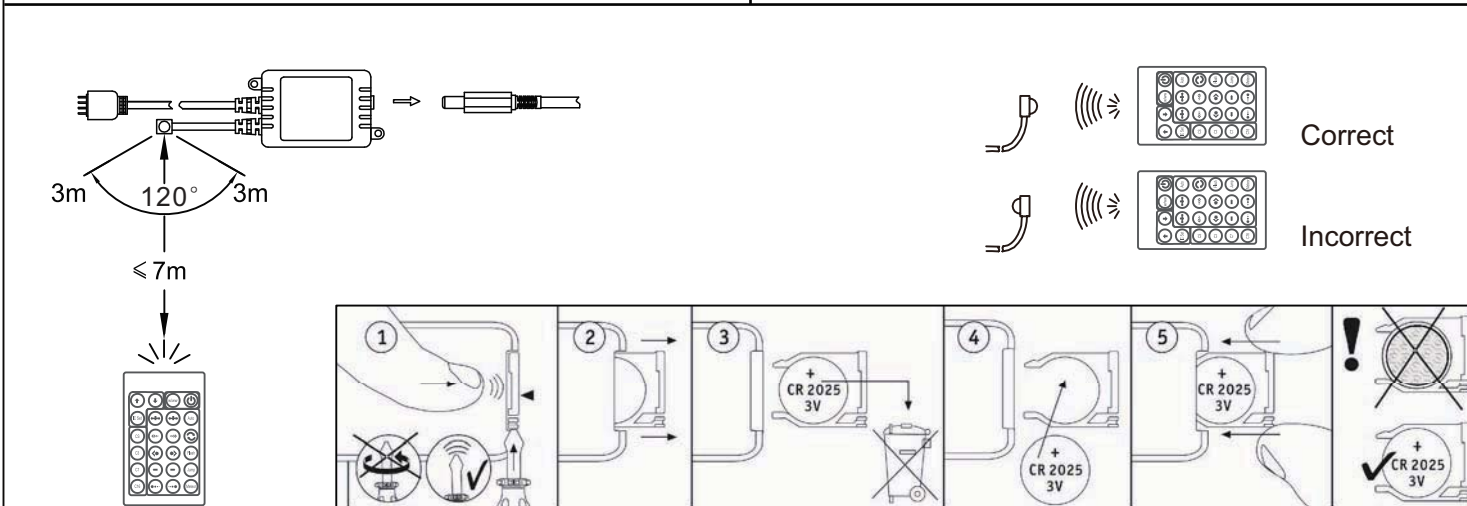
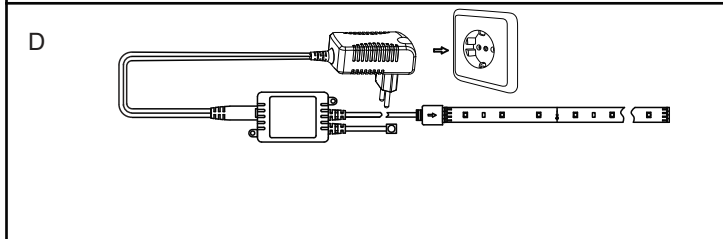
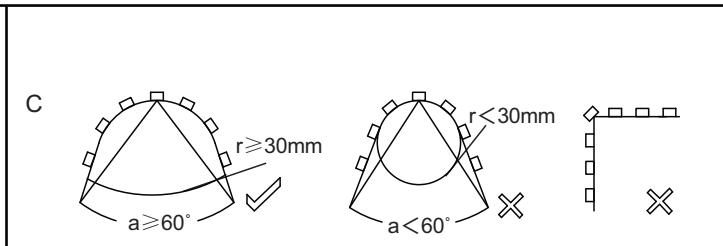
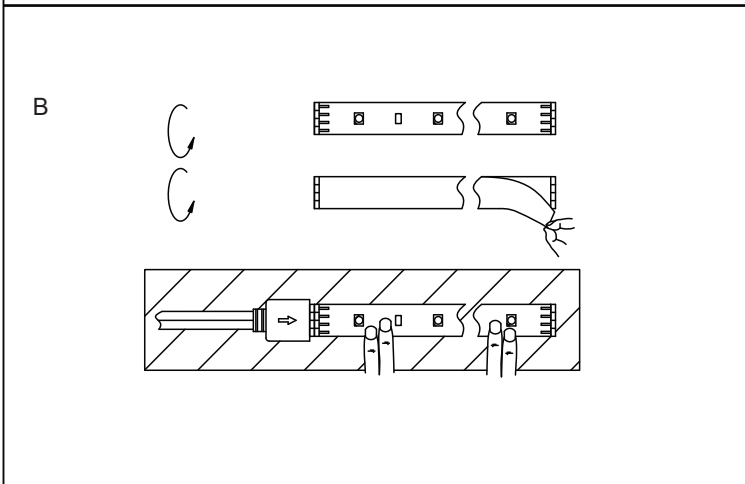
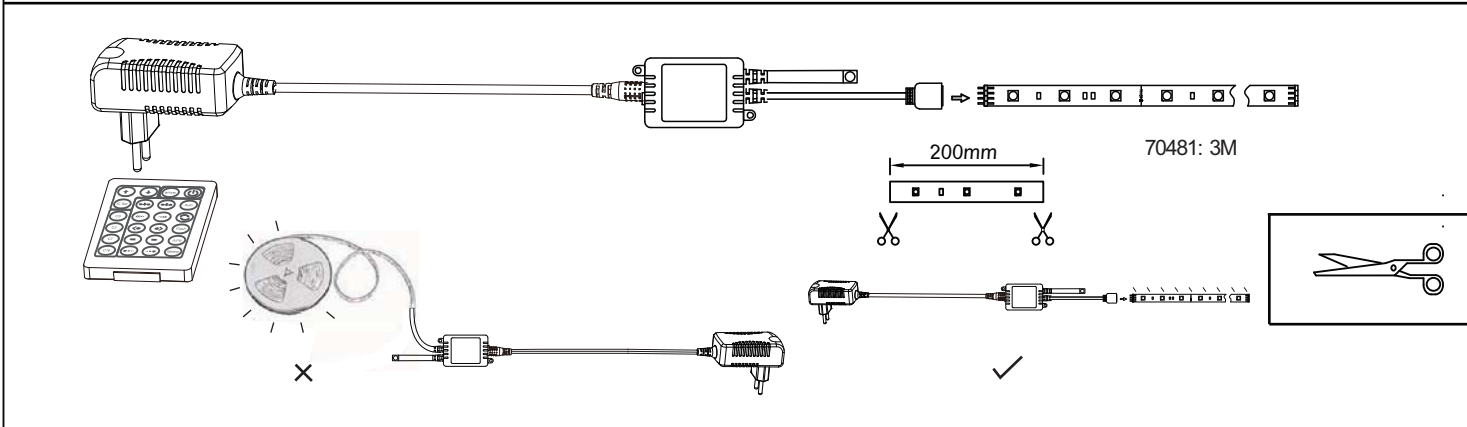
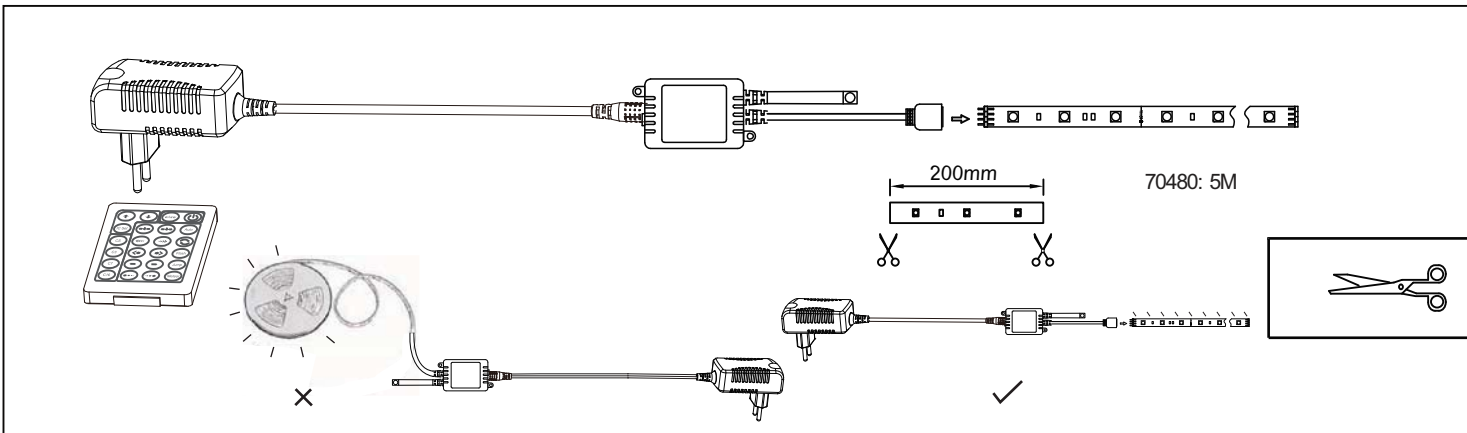
Quezinger Feld 2
31832 Springe / Germany
www.paulmann.com

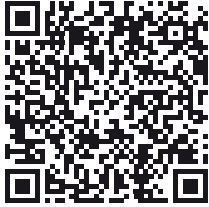
Art.-Nr.:

704.80

704.81

(+MA 173)
PMK 09/14





- Static Light effects:**
dimming brightness up
- Dynamic Light effects:**
increases speed of light effect
- IC number setting:**
reactivates unlighted stripe segments
- WWW shift key
- IC Set
IC number setting / electronic cutting
- flow to centre from two terminals
(CS,C3,C7,C 16)
- CS
eight-color choice key in static model
- Trail into right ĉ CS,C3,C7,C16B
- C3
three-color choice key in static model
- Horse race to right direction (CS,C3,C7,C16)
- C7
seven-color choice key in static model
- spread to right (CS,C3,C7,C16)
- C16
sixteen-color choice key in static model
- Queued color running to right with a tag
(CS,C3,C7,C16)
- Static Light effects:**
dimming brightness down
- Dynamic Light effects:**
slows down speed of light effect
- IC number setting:**
deactivates last stripe segments
- ON/OFF key
- flow to two terminals from centre
(CS,C3,C7,C16)
- Auto
Auto-cycle mode
- Trail into left ĉ CS,C3,C7,C16 B
- Trail from two directions in turn
- Horse race to left direction (CS,C3,C7,C16)
- Flash
Flash function key (CS,C3,C7,C16)
- spread to left (CS,C3,C7,C16)
- Jump
Jump efficient key (CS,C3,C7,C16)
- Queued color running to left with a tag
(CS,C3,C7,C16)
- Meteor
Queued color running with a tag from two directions in turn

On / Off

Dimm

3 sec!

IC number setting / electronic cutting

White

Light effects

Choose color

3 color

7 color

16 color

„Flow“

„Trail“

„Horse Race“

„Spread“

„Queued“

Mix of all effects

Mix of

Fade

Color jump

Mix of

Speed