








Safety Instructions  

1, 2, 3, 4, 5, 6, 7, 8, 9, 12, 13, 17, 19
20, 21, 22, 23, 24, 25, 29, 30, 32, 34



Info Hotline 

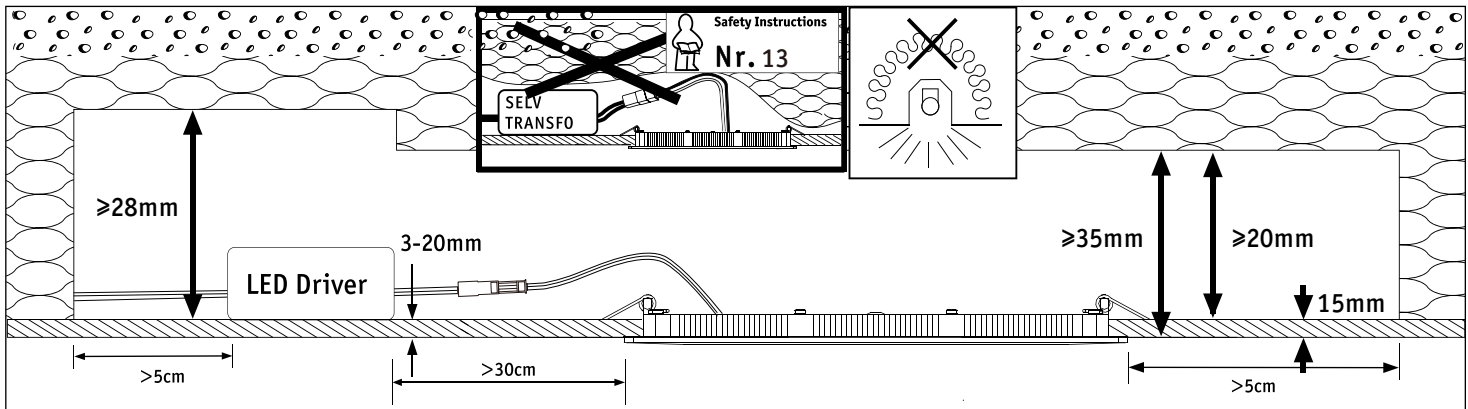
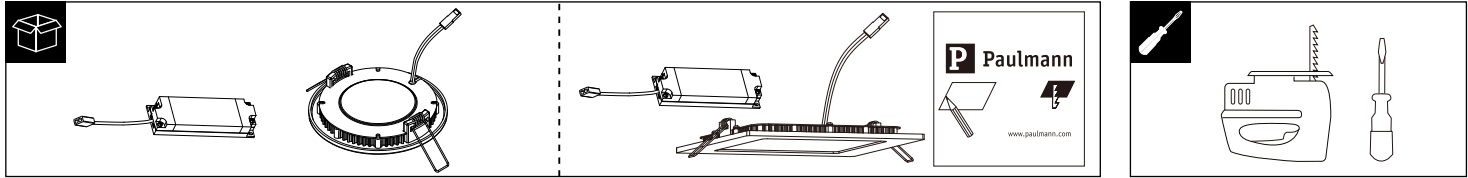
+49 (0) 5041 998 389
Mon. - Do. 7⁰⁰ - 20⁰⁰
Fr. 7⁰⁰ - 17⁰⁰



Paulmann Licht GmbH
Quezinger Feld 2
31832 Springe
Germany
www.paulmann.com


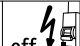
Art.-Nr.: 920.34/35/36/37/38/39/40/41/97/98/99/ 92100


(+MA 326) POW 04/16





A 920.97/99: $\phi 105\text{mm}$
920.36/40: $\phi 160\text{mm}$
920.34/38: $\phi 205\text{mm}$

920.98/921.00: $105 \times 105\text{mm}$
920.37/41: $160 \times 160\text{mm}$
920.35/39: $205 \times 205\text{mm}$


Safety Instructions Nr. 7  

B **Safety Instructions Nr. 2,3,4,5,6** 

230V ~ 230V



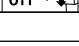
C  



7mm
14mm
230V ~

Safety Instructions Nr. 2,3,4,5,6 



230V ~


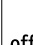
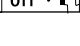
L N

D  **Safety Instructions Nr. 5,9**  

E  

1

Safety Instructions Nr. 5,19,20  

F  **Safety Instructions Nr. 20**  

2 3

G 