







**Safety Instructions**   

0, 1, 6, 8, 11, 15,  
25, 28

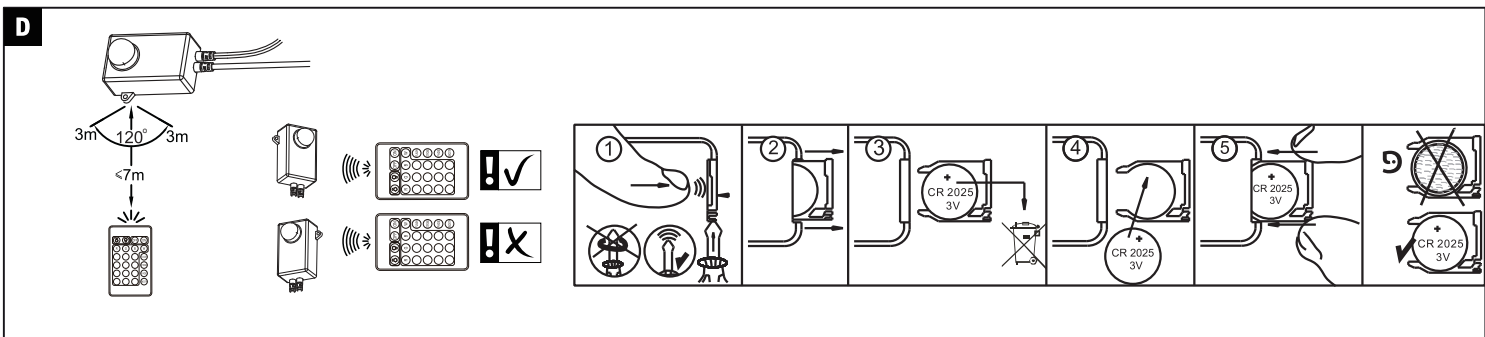
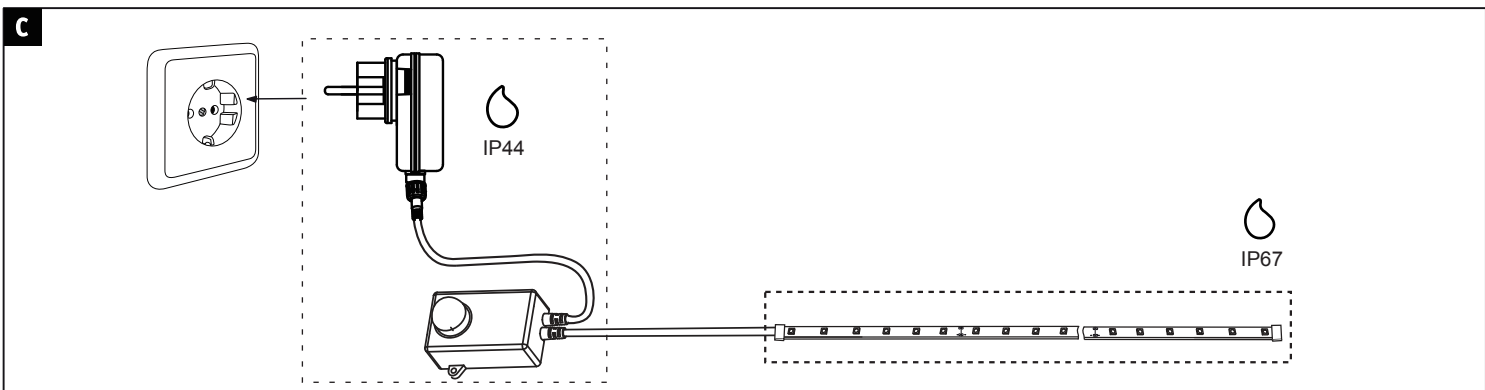
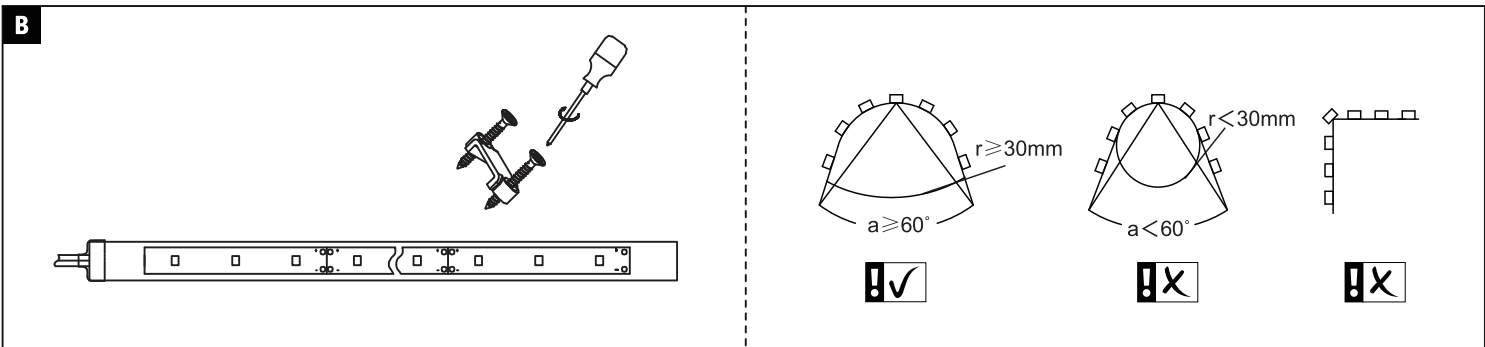
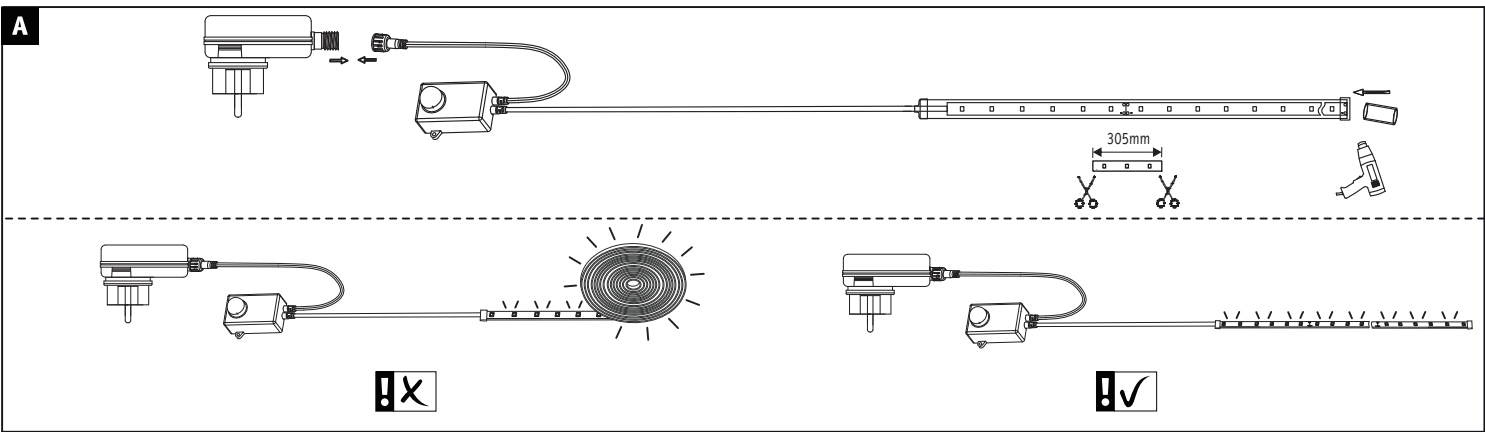
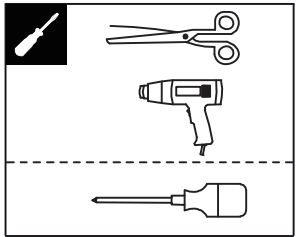
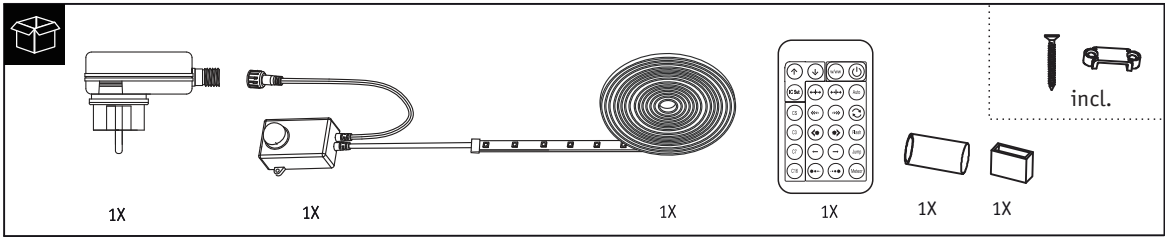
**Info Hotline** 

**+49 (0) 5041 998 389**  
 Mon. - Do. 7<sup>00</sup> - 20<sup>00</sup>  
 Fr. 7<sup>00</sup> - 17<sup>00</sup>

Paulmann Licht GmbH  
 Quezinger Feld 2  
 31832 Springe  
 Germany  
 www.paulmann.com

Art.-Nr.: 706.98/99

(+MA 173) PMK11/15





[www.paulmann.com/manual-digled/all](http://www.paulmann.com/manual-digled/all)



**Static Light effects:**  
dimming brightness up  
**Dynamic Light effects:**  
increases speed of light effect  
**IC number setting:**  
reactivates unlighted stripe segments



WWW shift key.



IC number setting / electronic cutting  
flow to centre from two terminals  
(CS,C3,C7,C16)



eight-color choice key in static model



Trail into right  $\hat{c}$  CS,C3,C7,C16D



three-color choice key in static model



Horse race to right direction (CS,C3,C7,C16)



seven-color choice key in static model



spread to right (CS,C3,C7,C16)



sixteen-color choice key in static model



Queued color running to right with a tag  
(CS,C3,C7,C16)



**Static Light effects:**  
dimming brightness down  
**Dynamic Light effects:**  
slows down speed of light effect  
**IC number setting:**  
deactivates last stripe segments



ON/OFF key



flow to two terminals from centre  
(CS,C3,C7,C16)



Auto-cycle mode



Trail into left  $\hat{c}$  CS,C3,C7,C16 D



Trail from two directions in turn



Horse race to left direction (CS,C3,C7,C16)



Flash function key (CS,C3,C7,C16)



spread to left (CS,C3,C7,C16)



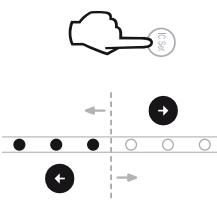
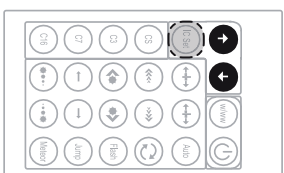
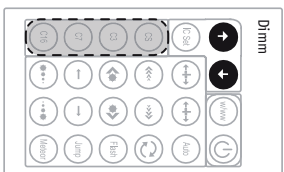
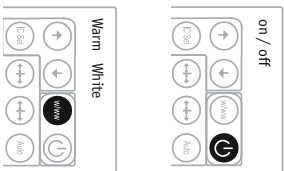
Jump efficient key (CS,C3,C7,C16)



Queued color running to left with a tag  
(CS,C3,C7,C16)



Queued color running with a tag from two directions in turn



! IC number setting /electronic cutting

