



Safety Instructions



0,1,2,4,6,7,8,9,11,
15,20,22,26,27,28



Info Hotline

+49 (0) 5041 998 389

Mon. - Do. 7⁰⁰ - 20⁰⁰

Fr. 7⁰⁰ - 17⁰⁰



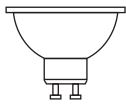
Paulmann Licht GmbH
31832 Springe / Germany
www.paulmann.com

Art.-Nr.:

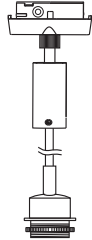
951.83
951.85
951.87

(+MA 173)
PBO 05/13

951.83
951.85
951.87



1x



1x



1x

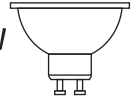


1x

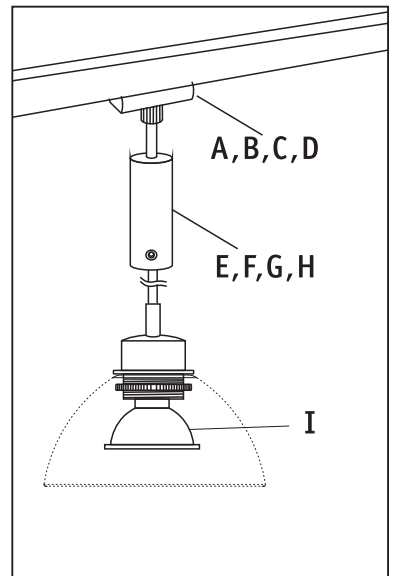
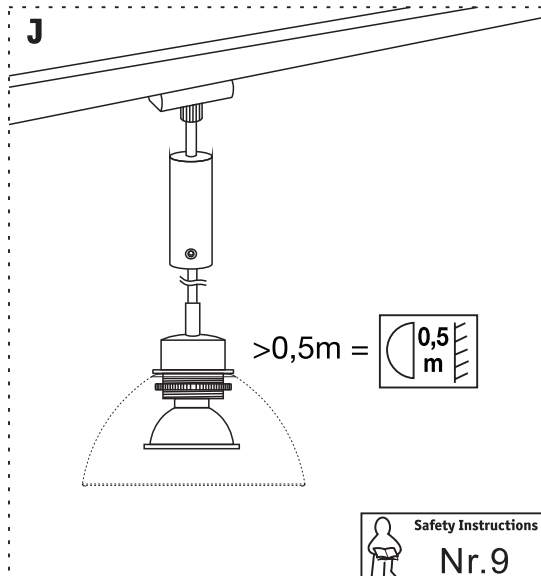
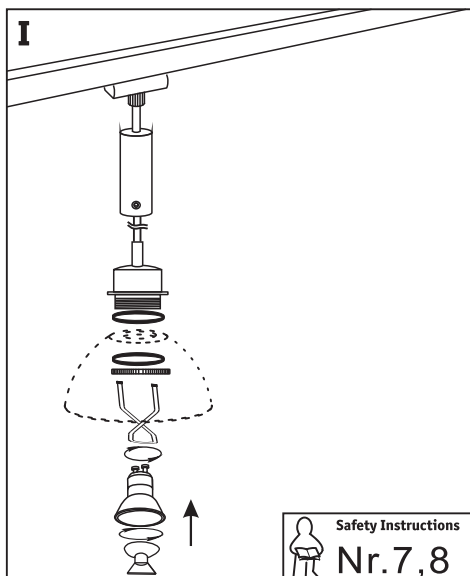
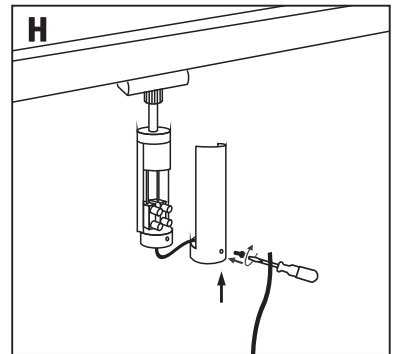
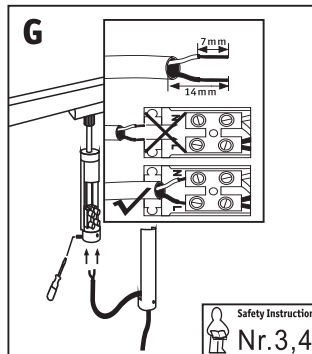
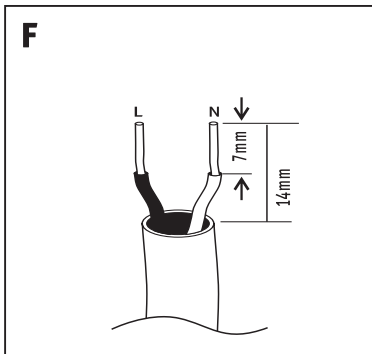
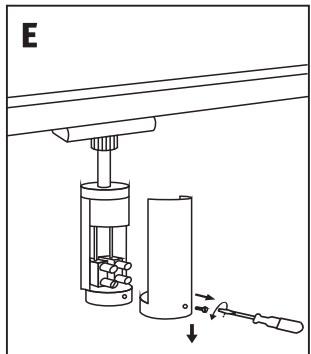
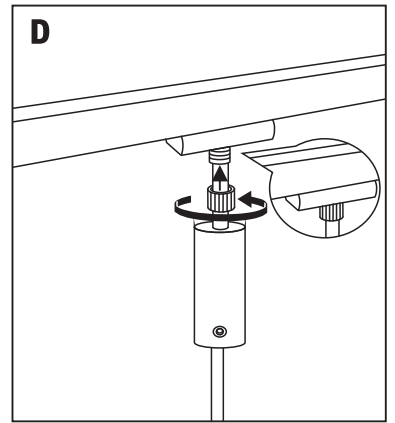
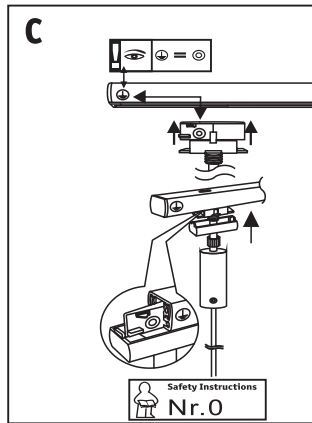
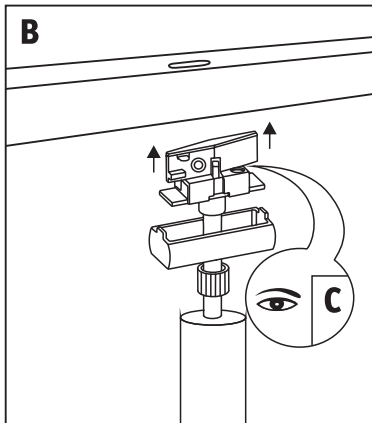
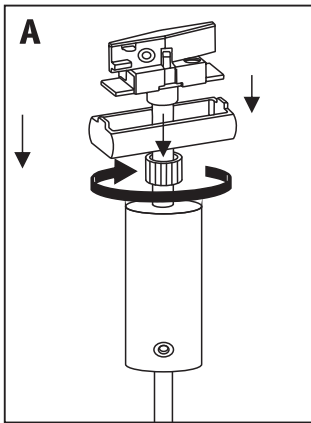


1x

incl.
1x 3.5W
Gz10



Paulmann
Art.-Nr.281.87



Safety Instructions
Nr.7,8

Safety Instructions
Nr.9