



Safety Instructions

0,1,2,4,6,7,8,9,11,15
20,22,26,27



Info Hotline



+49 (0) 5041 998 389

Mon. - Do. 7⁰⁰ - 20⁰⁰
Fr. 7⁰⁰ - 17⁰⁰

Paulmann Licht GmbH
Quezinger Feld 2
31832 Springe
Germany

www.paulmann.com

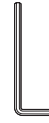
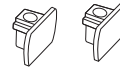
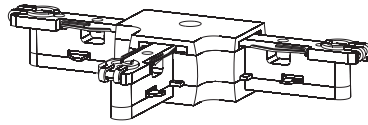
Art.-Nr.:

968.71

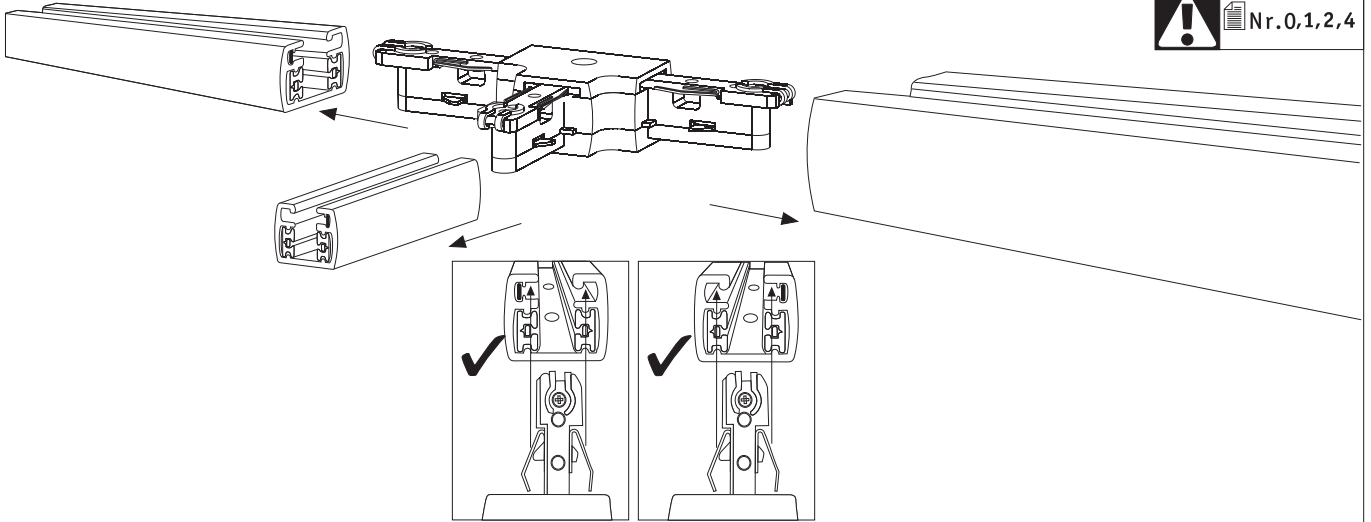
976.86

976.56

(+MA173)PH12/16



A



B

