

Safety Instructions

1, 2, 3, 4, 5, 6, 7, 8, 9, 10, 11, 12



Info Hotline



+49 (0) 5041 998 389

Mon. - Do. 7⁰⁰ - 20⁰⁰
Fr. 7⁰⁰ - 17⁰⁰

Paulmann Licht GmbH
Quezinger Feld 2
31832 Springe
Germany

www.paulmann.com

Art.-Nr.: 939.26

939.27

939.28

939.29

939.30

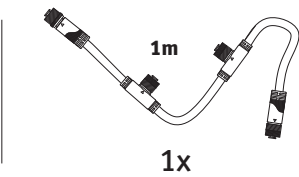
939.31

939.94

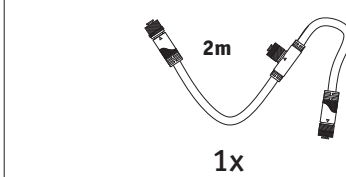
(+MA 327) PH03/17



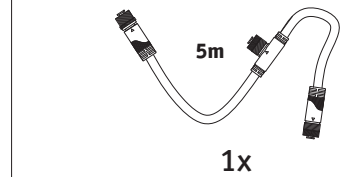
939.94



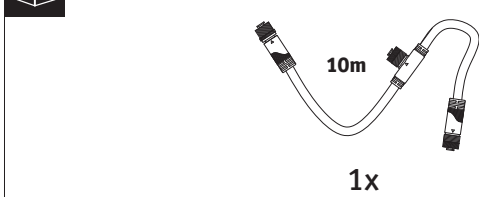
939.26



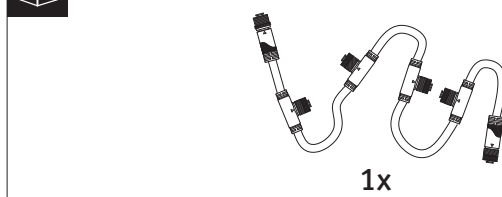
939.27



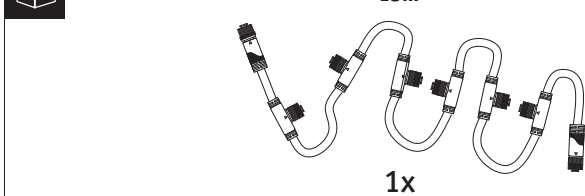
939.28



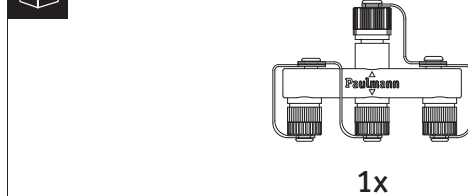
939.30



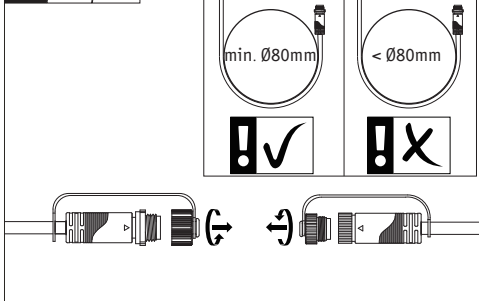
939.31



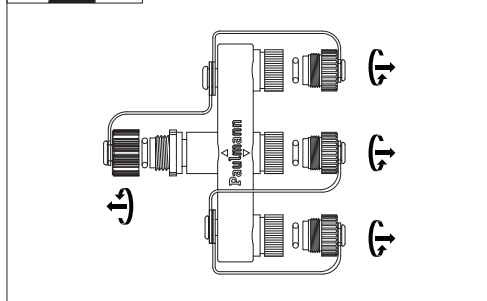
939.29



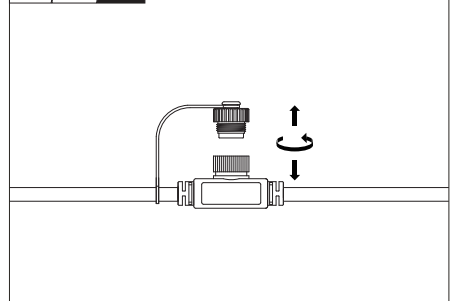
A1 A2 A3



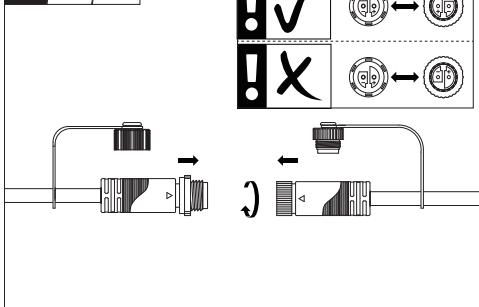
A1 A2 A3



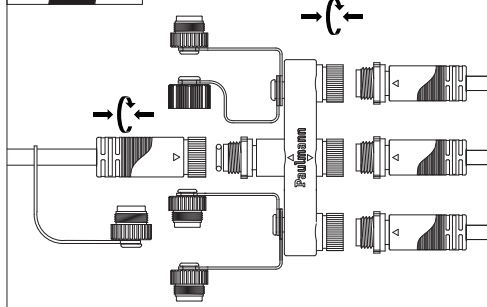
A1 A2 A3



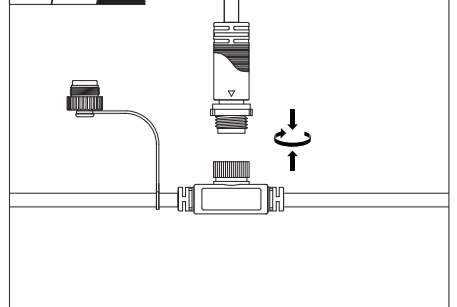
B1 B2 B3



B1 B2 B3

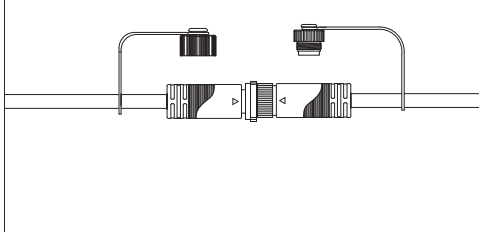


B1 B2 B3

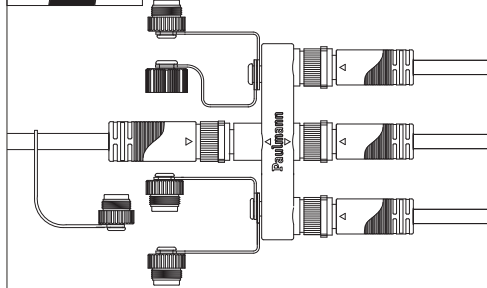


C1 C2 C3

max. 50m
max. 150W



C1 C2 C3



C1 C2 C3

