



Safety Instructions

0.1.4.6.7.8.10.11.15.16.17
22.28

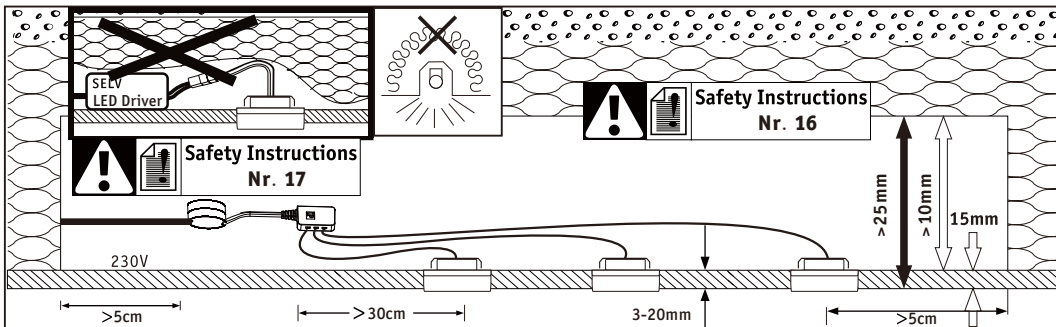
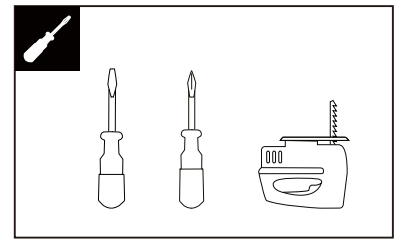
Info Hotline

+49 (0) 5041 998 389
Mon.-Do. 7⁰⁰-20⁰⁰
Fr. 7⁰⁰-17⁰⁰

Paulmann Licht GmbH
Quezinger Feld 2
31832 Springe
Germany
www.paulmann.com

Art.-Nr.: 935.76/935.77 (+MA173) PSU 12/15

3x 1x Incl.



A

40x140mm

Safety Instructions Nr. 0,1

