

Safety Instructions

0,1,2,4,6,11,15,18,22



Info Hotline



+49 (0) 5041 998 389

Mon. - Do. 7⁰⁰ - 20⁰⁰
Fr. 7⁰⁰ - 17⁰⁰

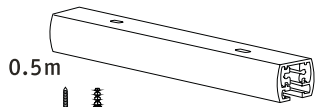
Paulmann Licht GmbH
Quezinger Feld 2
31832 Springe
Germany

www.paulmann.com

Art.-Nr.:
968.54/968.64
976.82/968.33
968.65/976.83
968.34/968.66
976.84
(+MA173)PH12/16



968.54/968.64/976.82

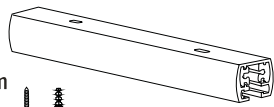


0.5m



incl.

968.33/968.65/976.83

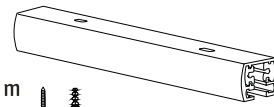


1m



incl.

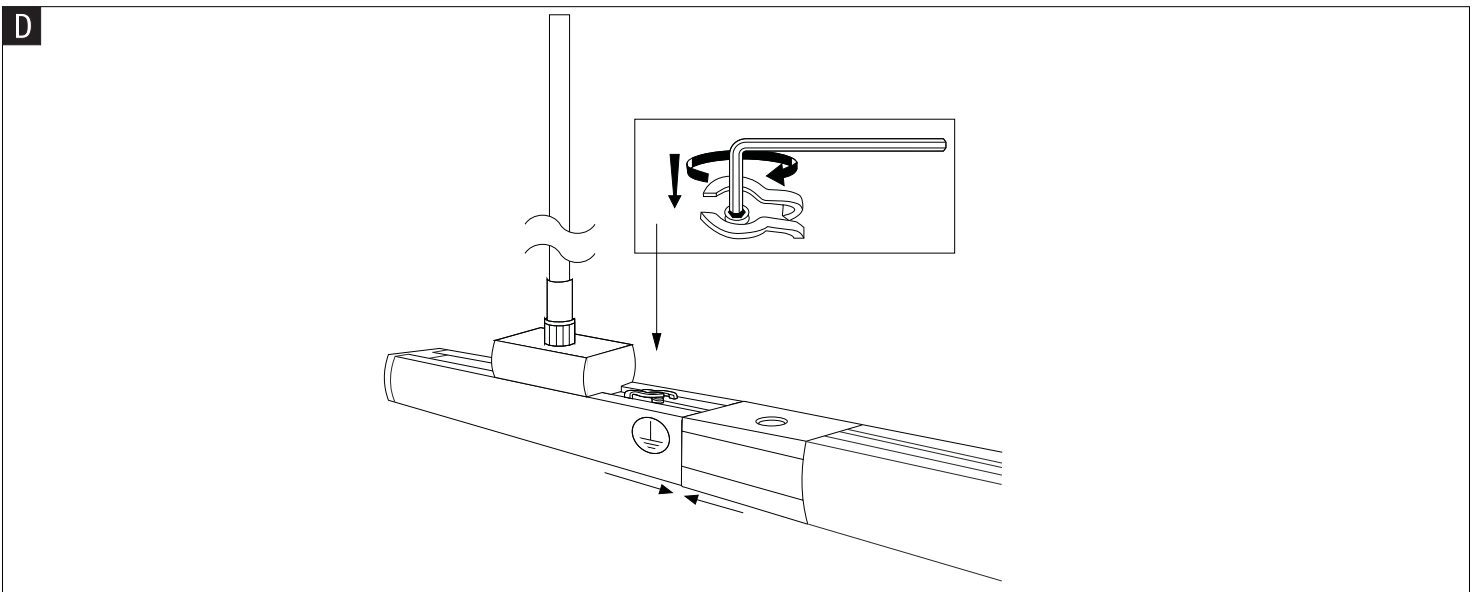
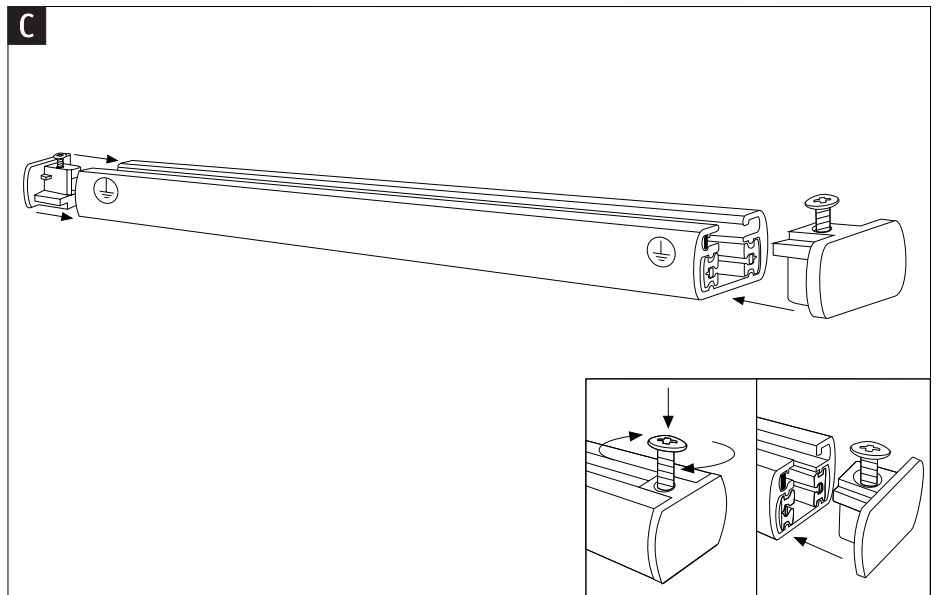
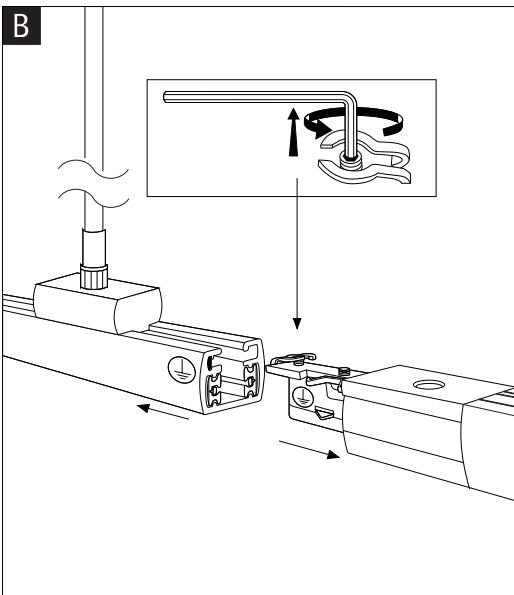
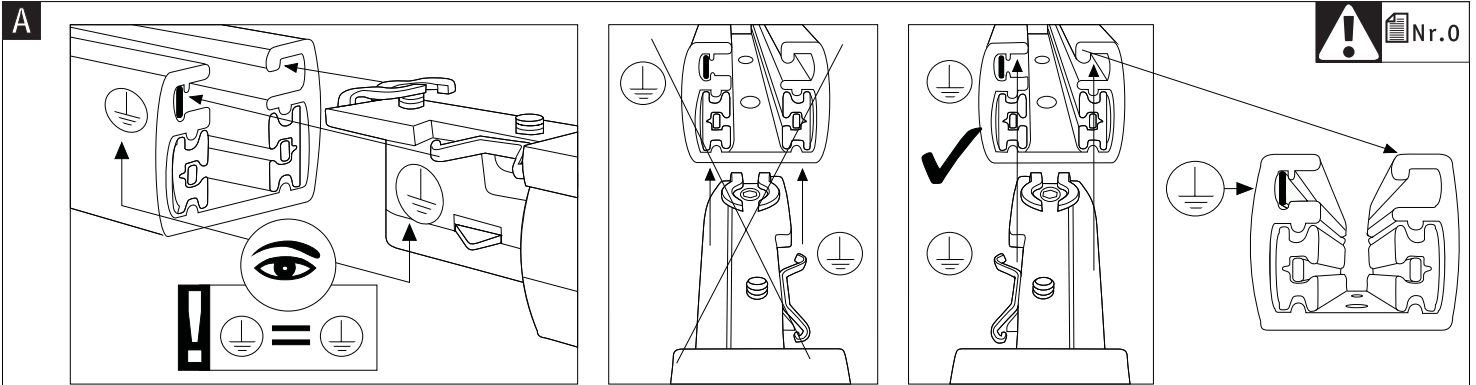
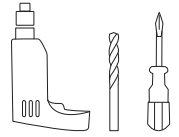
968.34/968.66/976.84



2m



incl.

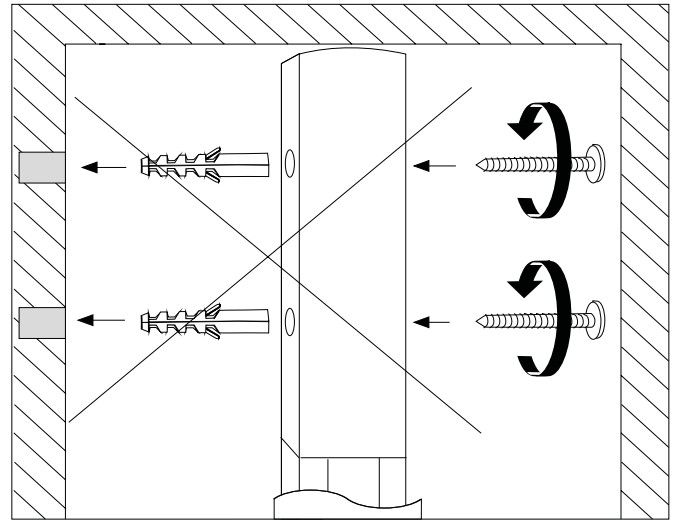
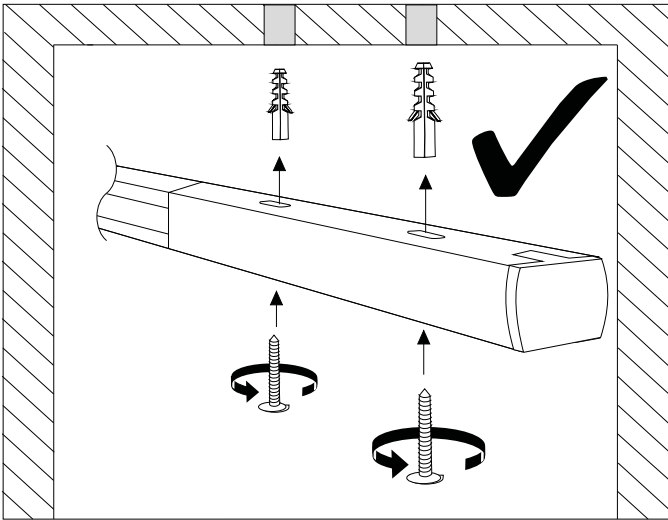




E



Nr. 2



F

