



Paulmann

Safety Instructions

1, 2, 3, 4, 5, 6, 7, 10, 12, 13, 15, 16,
19, 20, 21, 22, 24, 28, 33, 34



Info

www.paulmann.com

Paulmann Licht GmbH
Quezinger Feld 2
31832 Springe
Germany

www.paulmann.com

Art.-Nr.: 934.82/83

934.84/85

934.88/89

934.90/86

934.87/91

934.92

(+MA326) PSU 03/18

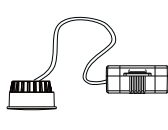


i IP23

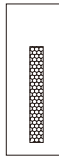
934.82/934.84



1x



1x

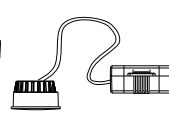


Incl.

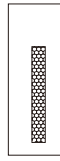
934.83/934.85/934.88



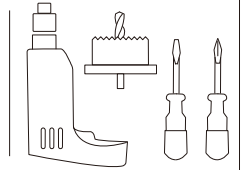
3x



3x



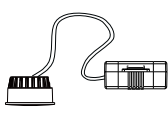
Incl.



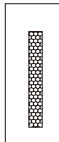
934.89



1x



1x

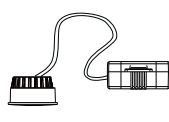


Incl.

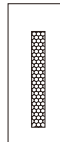
934.90



3x

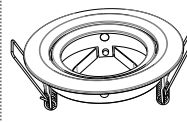


3x

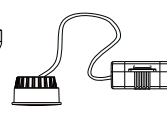


Incl.

934.86



1x

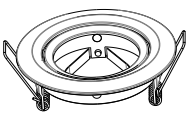


1x

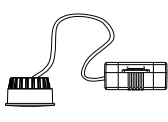


Incl.

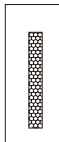
934.87



3x

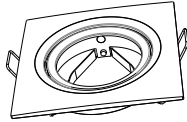


3x

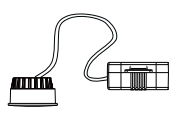


Incl.

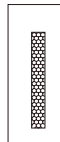
934.91



1x

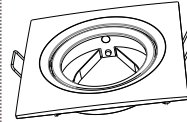


1x

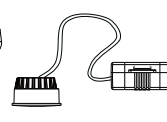


Incl.

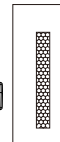
934.92



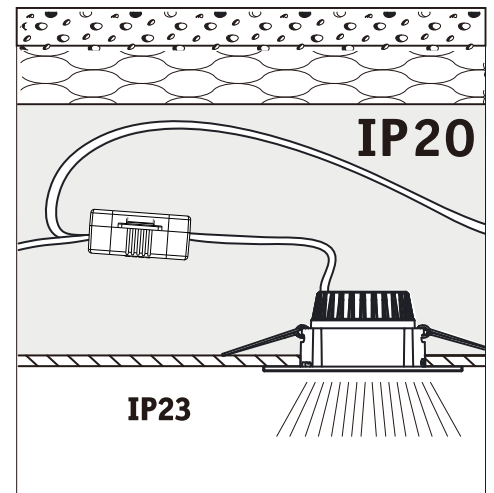
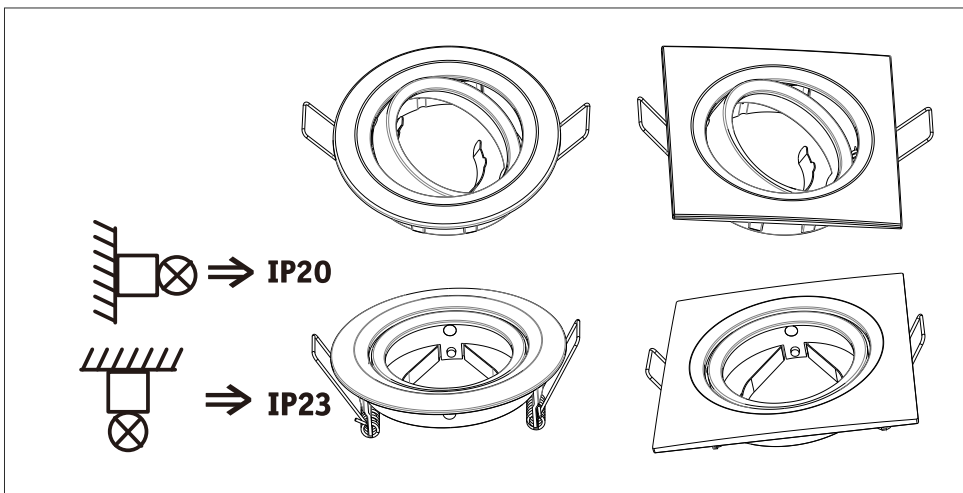
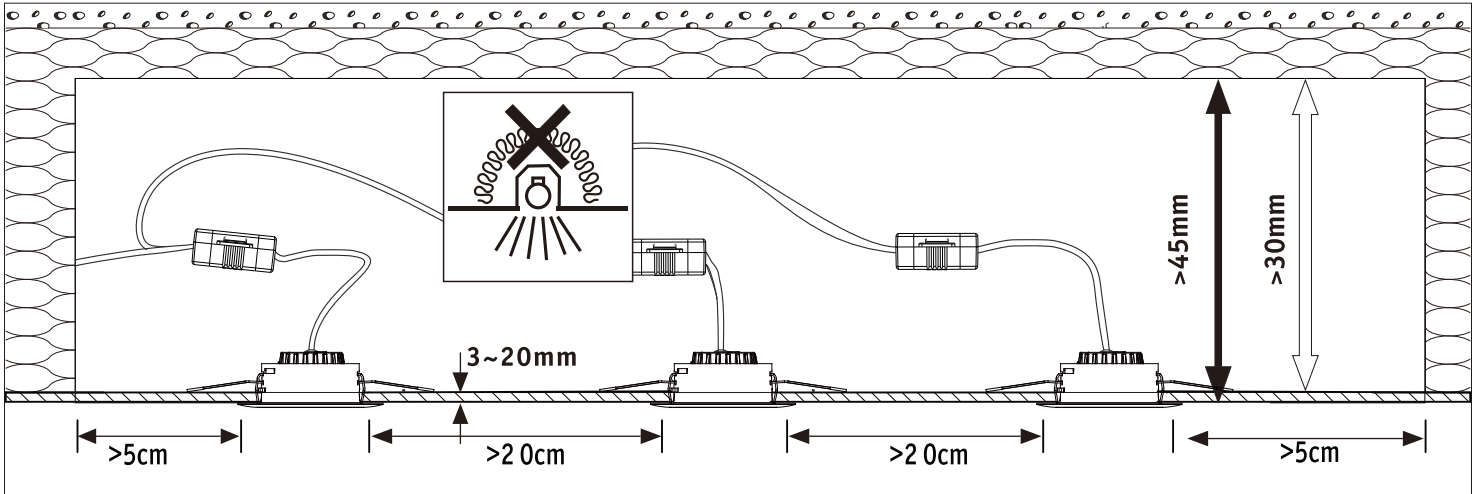
3x

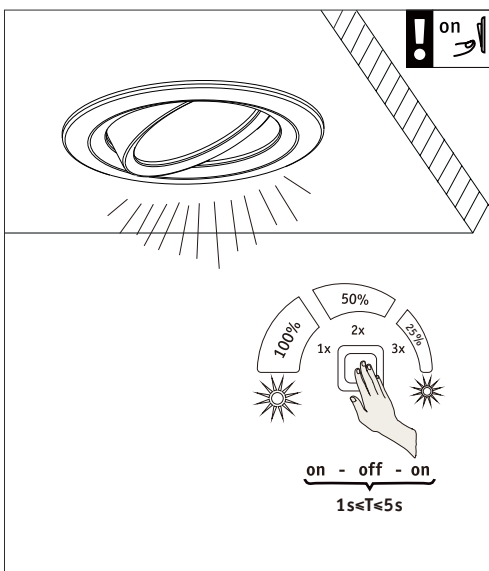
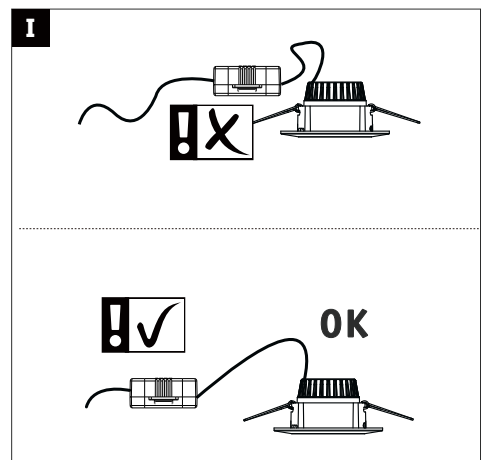
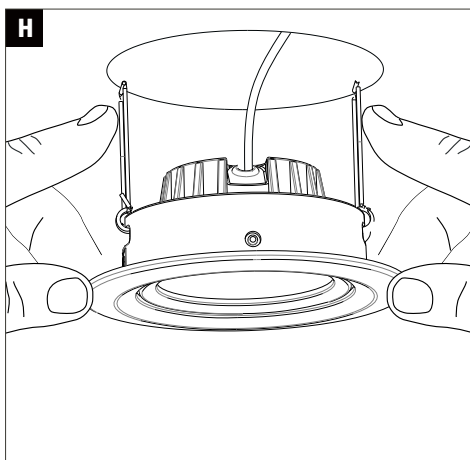
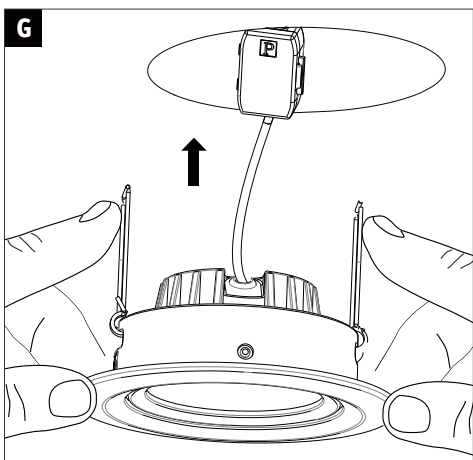
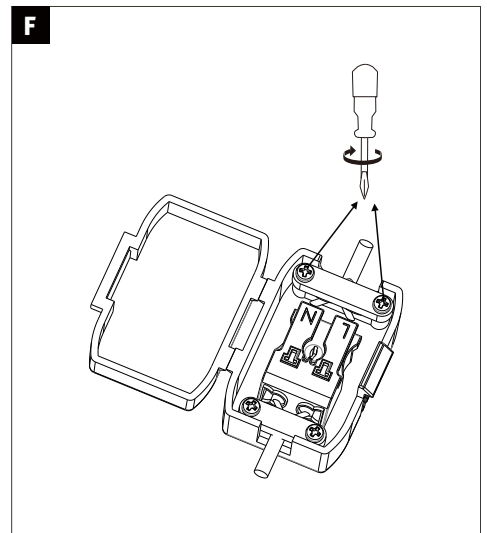
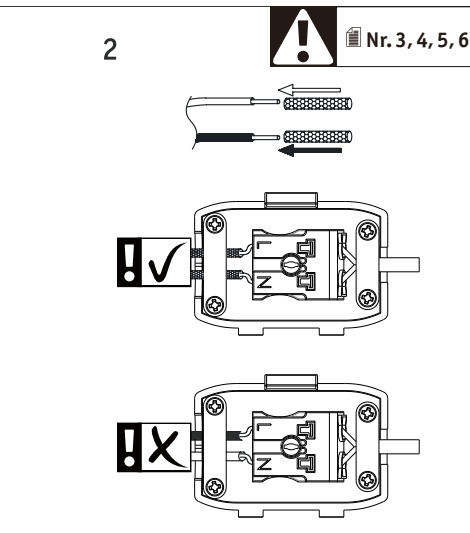
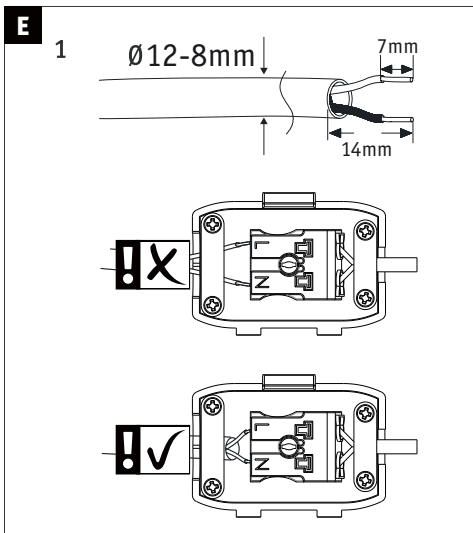
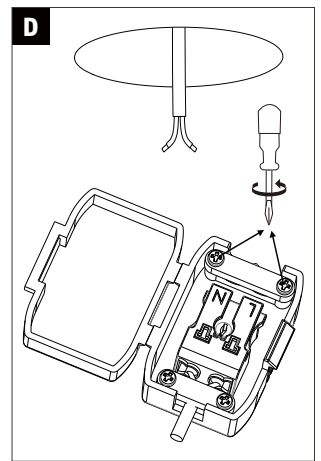
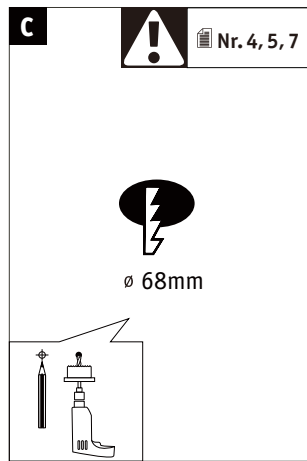
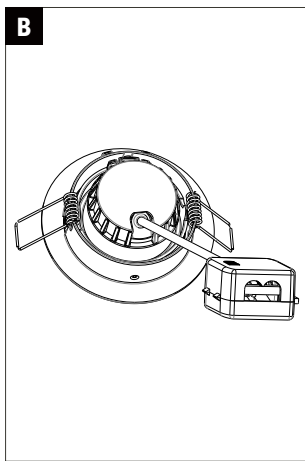
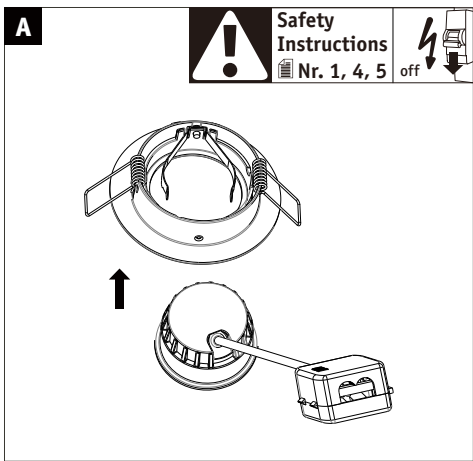


3x



Incl.





ENERGY LABEL
 Y IJA IE IA
 енергия · ενεργεια

A+

7kWh/1000h

∅ 51 mm

dimmable

≈ 30x 1.000h

460 lm
 6,5W
 230 V

warm white
 2700K

CRI/Ra ≥ 80

ON OFF ≥50.000

Lumen 60% < 1 s

CE

390093690