
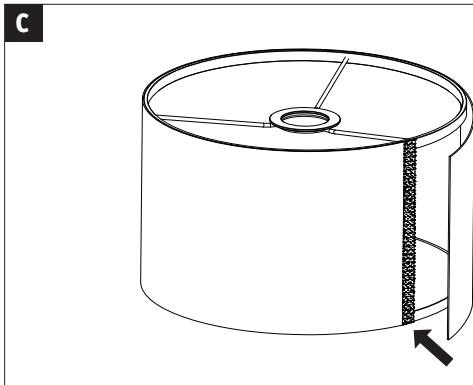
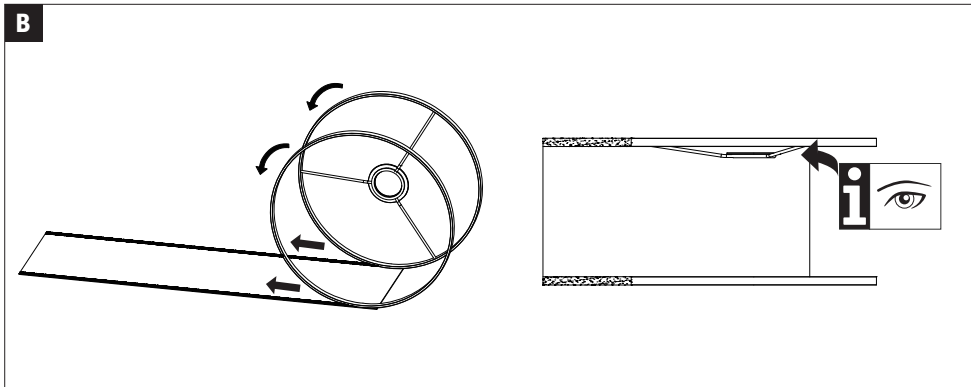
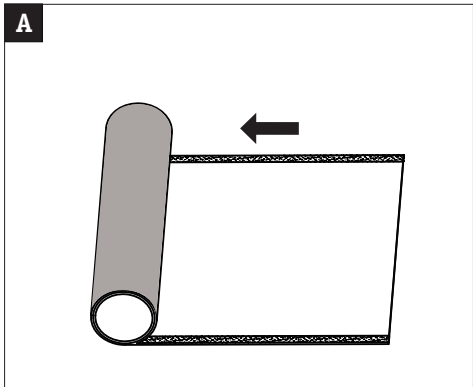
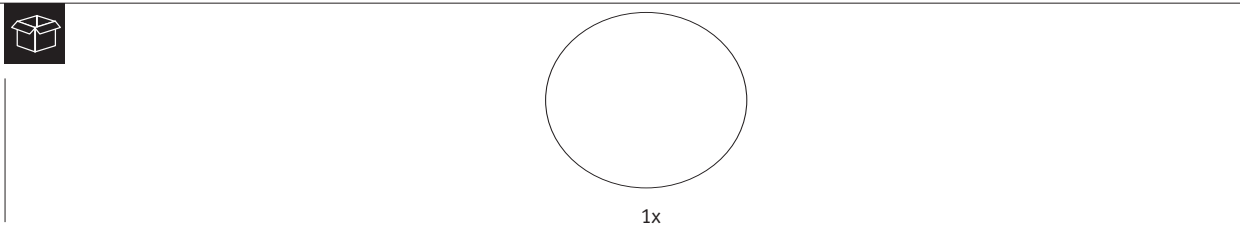


Art.-Nr.: **95492**
95493

(+MA 173) PEV 08/16

Not incl. 

Paulmann
Art.-Nr. 95364-67 (for 95492)
60324-27 (for 95493)
www.paulmann.com

