

Safety Instructions

1, 2, 3, 4, 5, 6, 7, 8, 12, 16,
19, 22, 23, 24, 29, 31, 32,
33, 34



Info Hotline



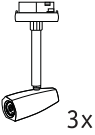
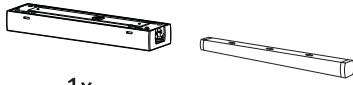
+49 (0) 5041 998 389
Mon. - Do. 7⁰⁰ - 20⁰⁰
Fr. 7⁰⁰ - 17⁰⁰

Paulmann Licht GmbH
Quezinger Feld 2
31832 Springe
Germany

www.paulmann.com

Art.-Nr.: **954.59**

(+MA326)PH04/16



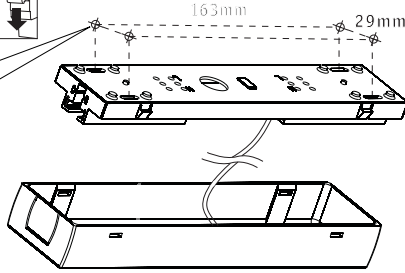
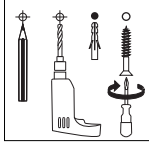
not incl.
max. 10W
GU10 LED



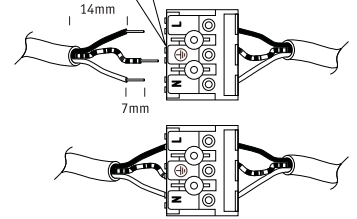
Paulmann
Art.-Nr. 284.34
www.paulmann.com



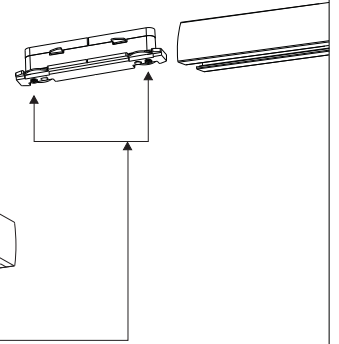
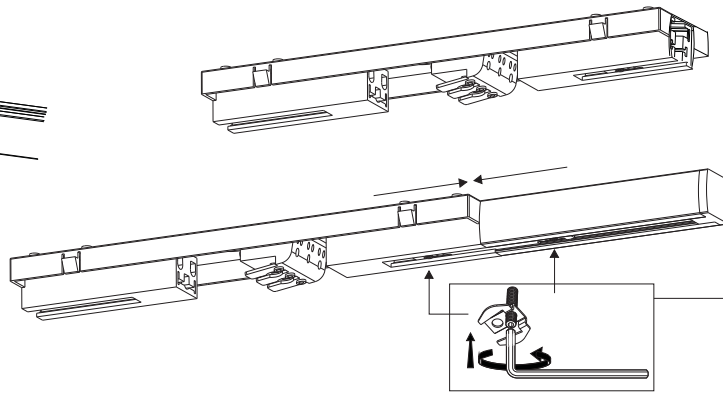
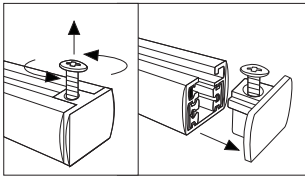
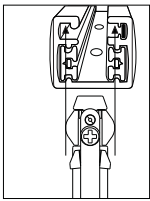
A Safety Instructions Nr. 1-8,19



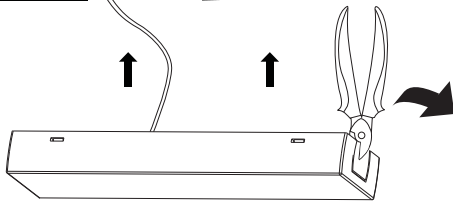
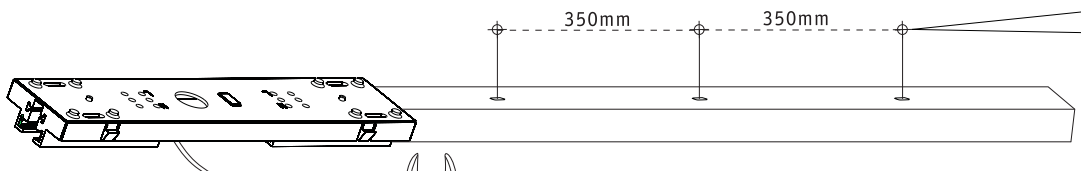
B Safety Instructions Nr. 1-6,19



C Nr. 19,22,23,24



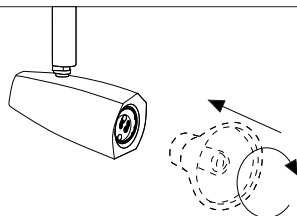
D



Safety Instructions
Nr. 1-8,19



E Nr. 19,22,23,24



F

